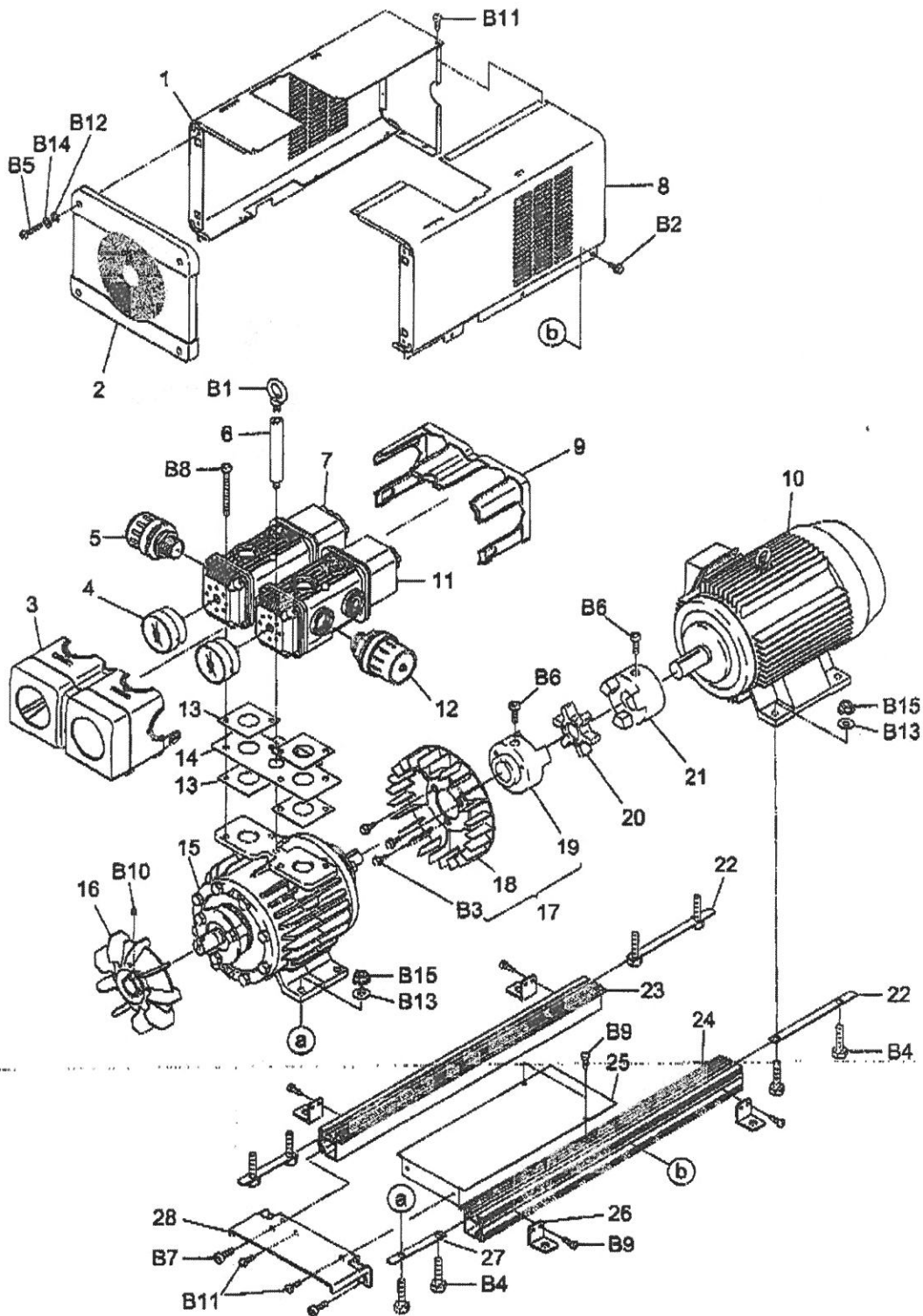


KRF70-VB-01



Item	Part Number	Part Name	Specification	QTY	
1	03101498010	Main Cover 70 No.1 Assy		1	NA
2	03101467010	Front Cover 70 Assy		1	NA
3	02100506010	Gauge Cover 70		1	NA
4	04100705010	D-shape Gauge	GS58-R02 60D, for CBF	2	NA
5	03000205020	Vacuum Controller VC81 Assy	for KRF70	1	NA
6	04002917020	Auxiliary Bolt	A=129.5	1	NA
7	03101472010	VFF-70 Assy		1	NA
8	03101499010	Main Cover 70 No.2 Assy		1	NA
9	04101506010	SD Case Cover Assy		1	NA
10	0A001675000	Motor	IK-FCKA21 6P 2.2KW 200W	1	NA
11	03101694010	PSF-70 Assy		1	NA
12	03000048010	Press. Controller PCAB Assy		1	Prs Reg KR57
13	04010297010	Gasket (B)	1.0T	4	KR57A-NP7
14	03101471010	Partition Plate Upper		1	NA
15	KRF70-01	KRF70-01 Body		1	KRX-7A
16	02035372010	Fan Assy		1	NA
17	03101465010	Fan with Coupling Assy		1	NA
18	03101445010	Radial Fan	PA66-GF33	1	NA
19	03101512010	Coupling	AL-110, 24D	1	NA
20	04101313010	Spider	NBR	1	NA
21	03101511010	Coupling	AL-110, 28D	1	NA
22	04101304030	Bolt Holder Plate	L1=140	2	NA
23	03101477010	Frame Base No.1		1	NA
24	03101478010	Frame Base 70 No.2		1	NA
25	03101491010	Partition Plate Lower 70		4	NA
26	04101303010	Base Leg		2	NA
27	04101304010	Bolt Holder Plate	L1=80	1	NA
28	03101493010	Support Bracket		1	NA
B1	30251000110	Eye Bolt	M10	1	NA
B2	30850512330	Hex Head Bolt (with W. SW)	M5x12	6	NA
B3	30850616320	Hex Head Bolt (with W. SW)	M6x16	3	NA
B4	30011035320	Hex Head Bolt	M10x35	8	NA
B5	30060525460	Hex Socket Head Cap Bolt	M5x25 Blackening	4	NA
B6	30060815420	Hex Socket Head Cap Bolt	M8x15	2	NA
B7	30060820460	Hex Socket Head Cap Bolt	M8x20 Blackening	4	NA
B8	30060860460	Hex Socket Head Cap Bolt	M8x100 Blackening	4	NA
B9	31010501010	Pan Head Small Screw	M5x10	10	NA

Item	Part Number	Part Name	Specification	QTY	
B10	31113061210	Hex Socket Set Screw (Cone Point)	M6x12 Blackening	1	NA
B11	31083401080	Truss Tapping Screw	Type-2 Grooved M4x10 Black Chrome-Plated	5	NA
B12	33000010120	Plain Washer	M5	4	NA
B13	33000013120	Plain Washer	M10	8	NA
B14	33000507210	Spring Washer	M5	4	NA
B15	32001805120	Hex Head Nut (with SW)	M10	8	NA
	04040739010	Caution Label (Electric Shock) 63		1	NA
	04040740010	Caution Label (Heat Injury) 63		1	NA