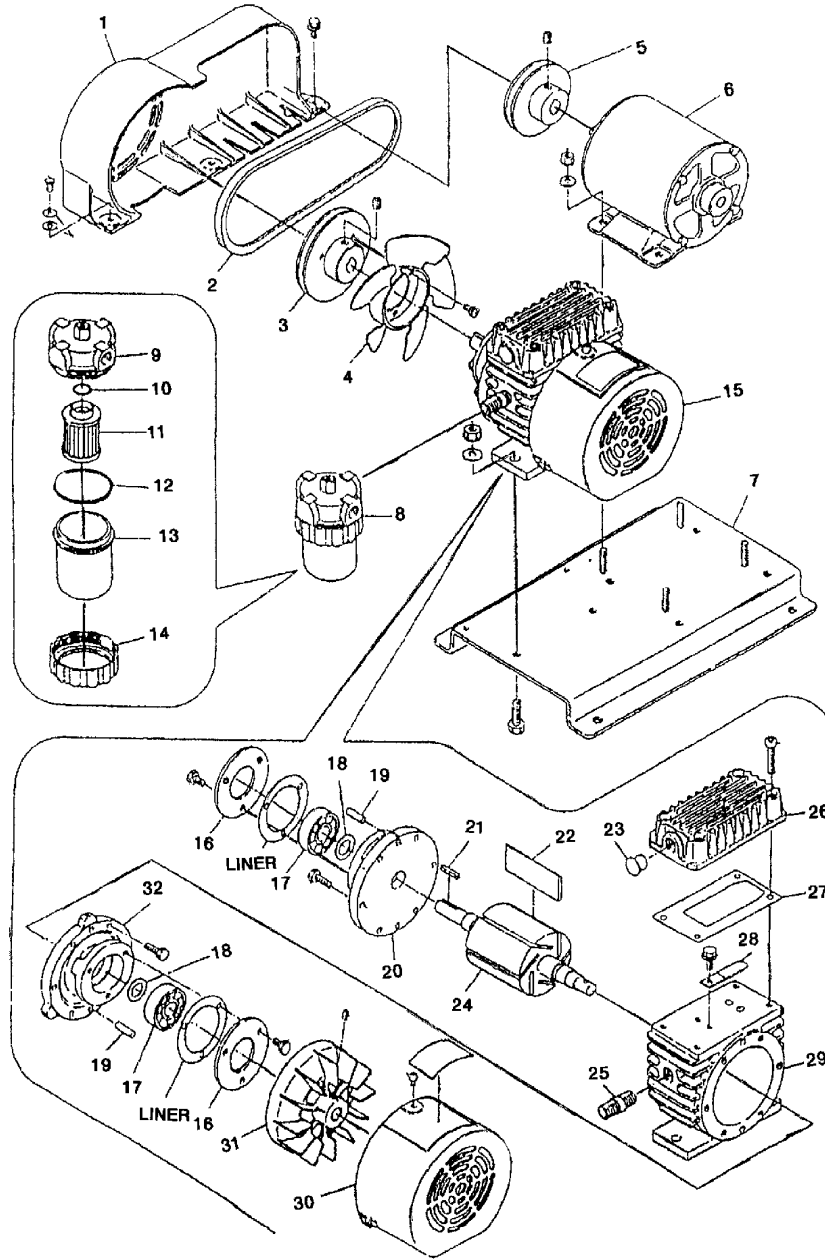


Model KHA-400 & KH-410 Dry Vacuum Pump



#	Part Name	KHA-400	KH-410	Qty
1	Belt Cover Assembly	03040716010	03034060010	1
2	"Ban Flex" Belt*	JVP-400-00002 / 35303430010	JVP-400-00002 / 35303430010	1
3	Pump Pulley	04030432020	04030432010	1
4	Pulley Fan	02034571010	04030438010	1
5	Motor Pulley	JVP-400-00005 / 04030435020	04030435010	1
6	Motor	.5HP / .37kW 208/460V / 3-Phase	.5HP / .37kW 208/460V / 3-Phase	1
7	Base Assembly	03039926010	03030562010	1
8	RA-05V Assembly	JVP-400-00008 / 03037296030	JVP-400-00008 / 03037296030	1
9	Head	JVP-400-00008 / 03037296030	JVP-400-00008 / 03037296030	1
10	O-Ring*	JVP-400-00010 / 35154513040	JVP-400-00010 / 35154513040	1
11	Filter Element*	JVP-400-00011 / 04A30159010	JVP-400-00011 / 04A30159010	1
12	O-Ring	JVP-400-00012 / 35152206040	JVP-400-00012 / 35152206040	1
13	Filter Case	JVP-400-00008 / 03037296030	JVP-400-00008 / 03037296030	1
14	Ring	JVP-400-00008 / 03037296030	JVP-400-00008 / 03037296030	1
15	Bare Pump	KHA-400	KH-410	1
16	Bearing Retainer	JVP-400-00016 / 04009352020	JVP-400-00016 / 04009352020	2
17	Bearing*	JVP-400-00017 / 04035063010	04035063010	2
18	Spacer*	04040703010	JVP-400-00018 / 04035064010	2
19	Taper Pin	33611111300	33611112100	4
20	Side Plate (B)	03039920010	03034086010	1
21	Parallel Key	JVP-400-00021 / 33300410000	JVP-400-00021 / 33300410000	1
22	Vane (Blade)*	JVP-400-00022 / 04039398010	04030405010	6
23	Blind Plug OR 3/8" Exhaust Muffler	JVP-400-00023 / 50007003100	Pipe-04030421010	1
24	Rotor	03039924010	03034084010	1
25	Barrel Nipple	JVP-400-00025 / 50003803300	51030300350	1
26	Muffler Case Assembly	JVP-400-00026 / 02034569020	03030320010	1
27	Gasket*	JVP-400-00027 / 04040710010	JVP-400-00027 / 04040710010	1
28	Check Valve*	JVP-400-00028 / 04030426010	JVP-400-00028 / 04030426010	1
29	Cylinder	02030056010	02030056010	1
30	Fan Cover Assembly	JVP-400-00030 / 03039901010	04037330010	1
31	Cooling Fan	02034568010	04009769010	1
32	Side Plate (A)	03039919010	03034085010	1
	Liners / Shim Kit*	JVP-5-00010 / 04000038010*	JVP-5-00010 / 04000038010*	1
	Rebuild Kit *Included in Rebuild Kit	REB-KHA-400	REB-KH-410	1