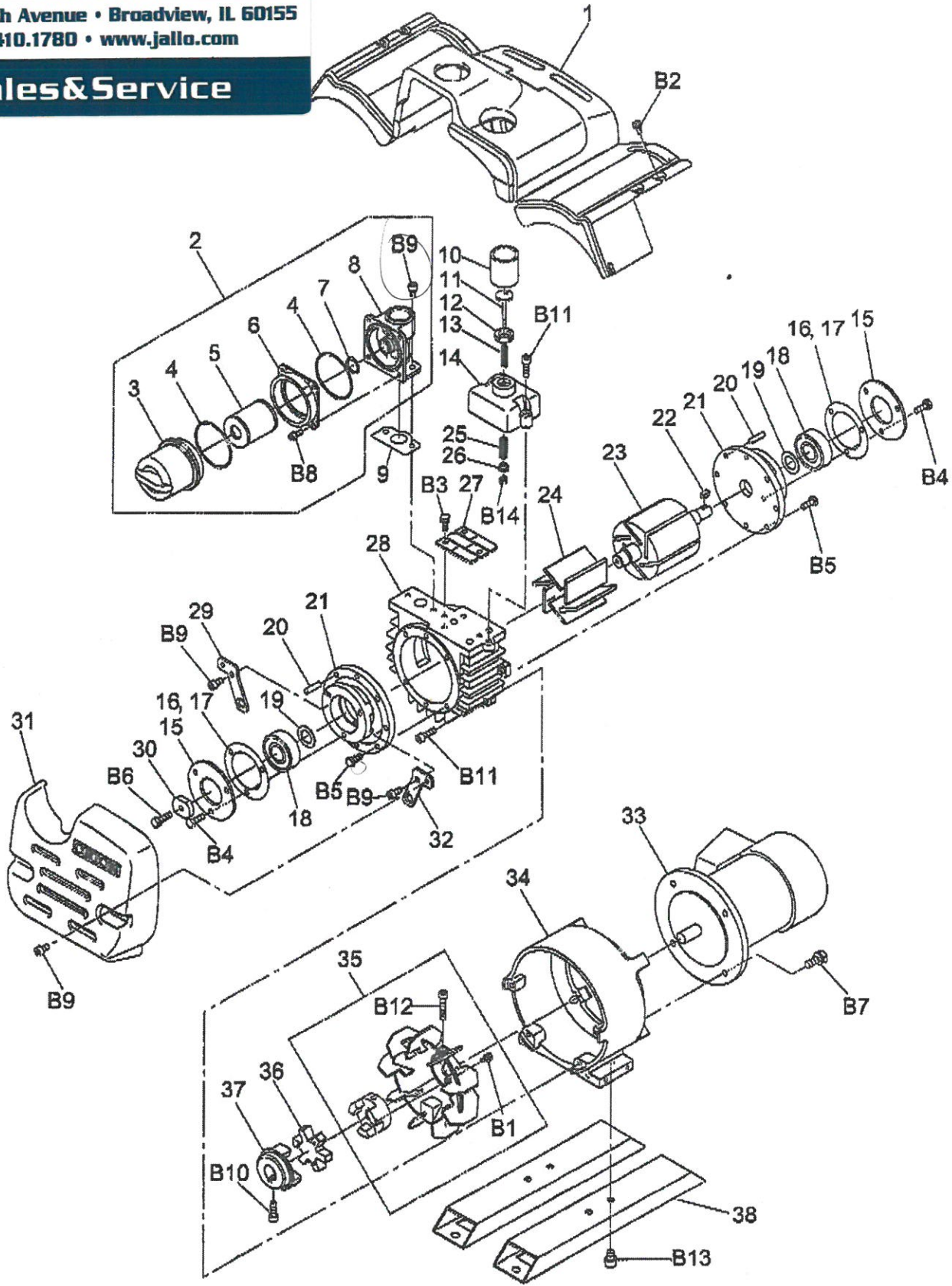


JALLO

Equipment and Supply, Inc.

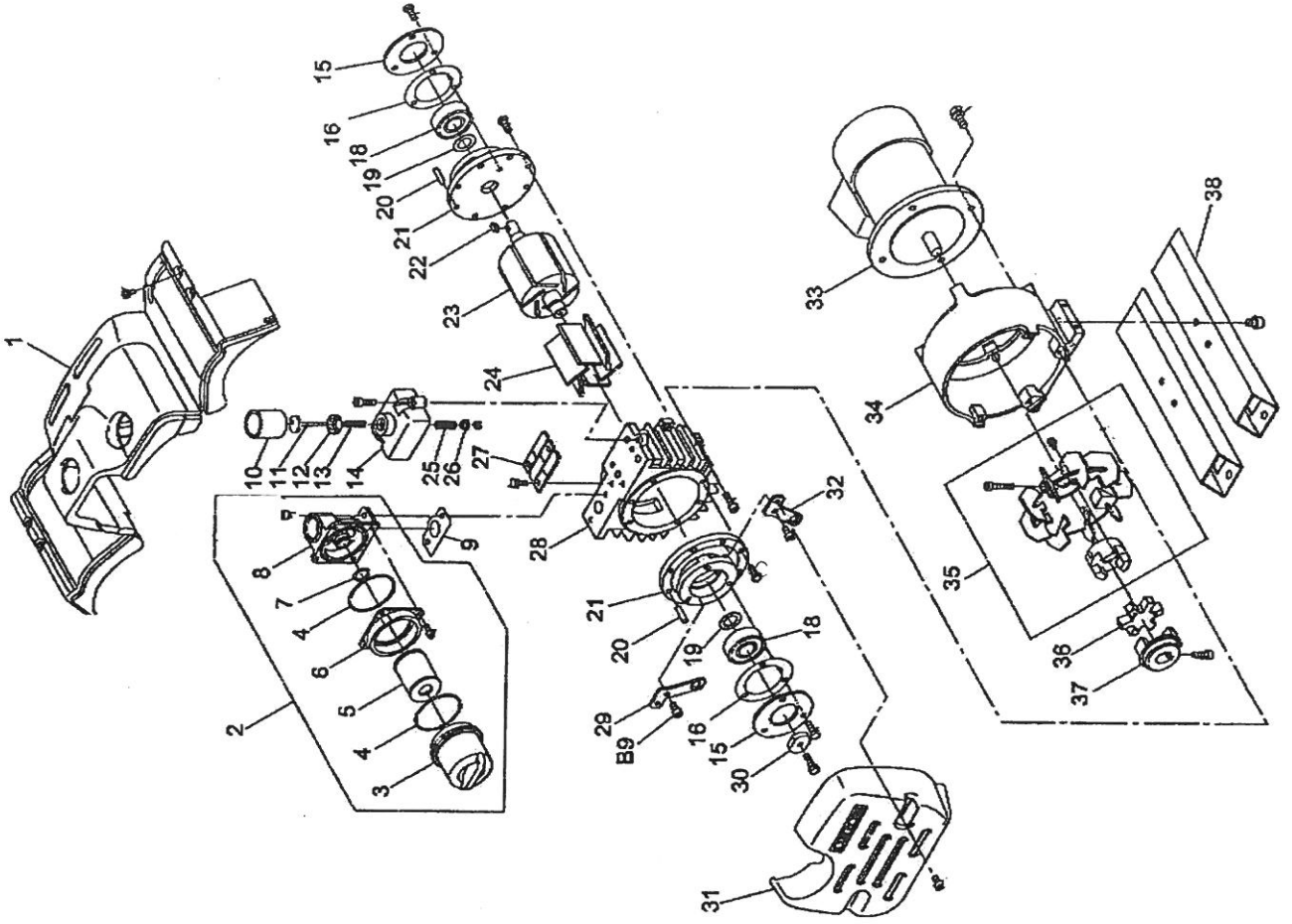
3029 S. 26th Avenue • Broadview, IL 60155
708.410.1780 • www.jallo.com

Sales & Service



KHF-14 Dry Vacuum Pump

Jallo Equipment & Supply, Inc.
 3029 S. 26th Ave.
 Broadview, IL 60155
 P: 708-410-1780 F: 708-410-1790
 www.jvppumps.com



#	Part Name	Part Number	Qty
1	Cover Body Assy	03043871010	1
2	Filter Case Assy	03043867010	1
3	Filter Case	03043384010	1
4	O-Ring	JVP-400-00012	2
5	*Filter Element	JVP-400-00011	1
6	Attachment	03043866010	1
7	*O-Ring	JVP-400-00010	1
8	Filter Body	02035979010	1
9	Gasket	04044224010	1
10	Socket	50002305110	1
11	Valve	04044204010	1
12	Felt	04044064010	1
13	Spring (A)	04044065010	1
14	Exhaust Case	03043377010	1
15	Bearing Holder	JVP-5-00009	2
16	*Liner/Shim Kit	JVP-5-00010	1
18	*Bearing	JVP-400-00017	2
19	*Spacer	04040703010	2
20	Taper Pin	3361111300	4
21	Side Plate	03043591010	2
22	Parallel Key	33300403000	1
23	Rotor Assy	03043592010	1
24	*Vanes	JVP-3-00003	6
25	Spring (B)	04044088010	1
26	Spring Guide	04044066010	1
27	Check Valve	JVP-400-00028	3
28	Cylinder	02035948010	1
29	Cover Fittings Left	04044090010	1
30	Washer	04044052010	1
31	Front Side Cover	03043864010	1
32	Cover Fittings Right	04044058010	1
33	Motor		1
34	Motor Joint	03043593010	1
35	Fan Assy	04044055010	1
36	*Spider	04002338010	1
37	Coupling	04044054020	1
38	Base Leg	03043844010	2

* Included in Rebuild Kit