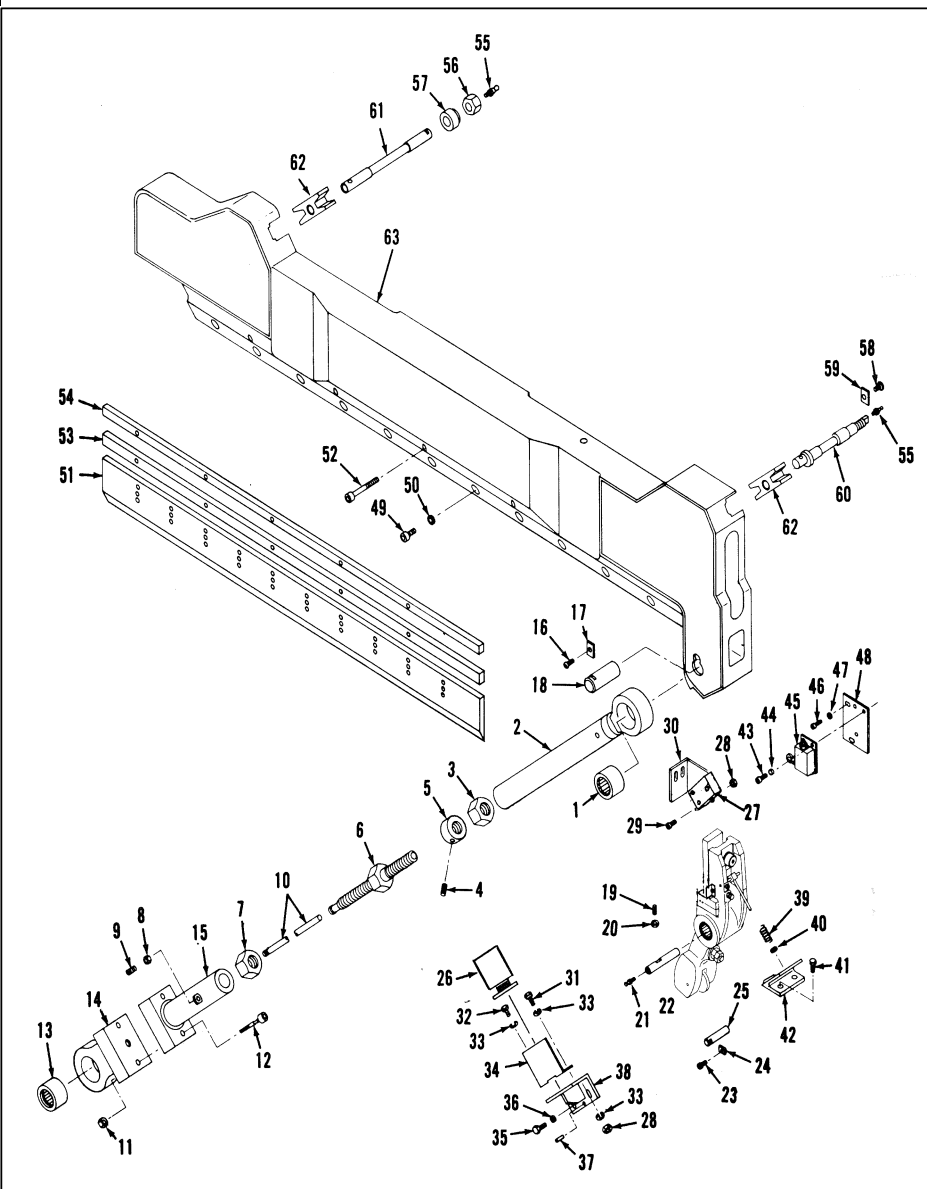


Knife Bar Assembly for Lawson 42", 47" and 52"

| # | Part No. | Description | Qty |
|----|----------|---------------------------|-----|
| 1 | 6667 | Nedde Bearing | 1 |
| 2 | 2BA4048 | Upper Pull Bar | 1 |
| 3 | 2BA2091 | Hexagon Nut (Right) | 1 |
| 4 | 520CP | Setscrew | 1 |
| 5 | 2BA2158 | Collar | 1 |
| 6 | 2BA4029 | Adjusting Screw | 1 |
| 7 | 2BA2092 | Hexagon Nut (Left) | 1 |
| 8 | 923 | Hexagon Nut | 1 |
| 9 | 523CP | Setscrew | 1 |
| 10 | 2BA2152 | Safety Rod | 1 |
| 11 | 982 | Self Locking Nut | 2 |
| 12 | 2BA2155 | Shear Bolt | 2 |
| 13 | 6044 | Nedde Bearing | 2 |
| 14 | 2BA4049 | Overload Terminal | 1 |
| 15 | 2BA4050 | Flange Assembly | 1 |
| 16 | 6034 | Button Head Screw | 1 |
| 17 | 3BA2068 | Retaining Clip | 1 |
| 18 | 2BA2101 | Knife Bar Pin | 1 |
| 19 | 547CP | Socket Head Setscrew | 1 |
| 20 | 925 | Hexagon Nut | 1 |
| 21 | 2404 | Fitting | 1 |
| 22 | 2BA2234 | Safety Latch Shaft | 1 |
| | | | 1 |
| 23 | 6034 | Button Head Screw | 1 |
| 24 | 3BA2068 | Retaining Clip | 1 |
| 25 | 2BA2086 | Rod | 1 |
| 26 | 6666 | Saftey Latch Solenoid | 1 |
| 27 | 6487 | Limit Switch | 1 |
| 28 | 980 | Self Locking Nut | 7 |
| 29 | 206 | Socket Head Cap Screw | 3 |
| 30 | 2BA2080 | Switch Mounting Plate | 1 |
| 31 | 6046 | Hexagon Head Cap Screw | 2 |
| 32 | 204 | Socket Head Cap Screw | 2 |
| 33 | 1190 | Lock Washer | 4 |
| 34 | 2BA4056 | Solenoid Cover | 1 |
| 35 | 6010 | Hexagon Head Cap Screw | 2 |
| 36 | 1133 | Flat Washer | 2 |
| 37 | 2098 | Spring Pin | 1 |
| 38 | 2BA2164 | Solenoid Mounting Bracket | 1 |
| 39 | 0BA2025 | Spring (Used on 42", 47") | 1 |



| # | Part No. | Description | Qty |
|----|----------|------------------------------|-----|
| 39 | 0BA2024 | Spring (Used on 52") | 1 |
| 40 | 6540 | Thrust Washer | 1 |
| 41 | 6010 | Hexagon Head Cap Screw | 2 |
| 42 | 2BB2000 | Stop Bracket | 1 |
| 43 | 204 | Socket Head Cap Screw | 3 |
| 44 | 2BA2242 | Spacer | 3 |
| 45 | 6743 | Limit Switch | 1 |
| 46 | 202 | Socket Head Cap Screw | 2 |
| 47 | 1131 | Flat Washer | 2 |
| 48 | 2BA2241 | Switch Mounting Bracket | 1 |
| | | | 1 |
| 49 | 2BA2044 | Knife Bolt (42" & 47") | 9 |
| 49 | 2BA2044 | Knife Bolt (52") | 11 |
| 50 | 2BA2045 | Knife Bolt Washer (42", 47") | 9 |
| 50 | 2BA2045 | Knife Bolt Washer (52") | 11 |
| 50 | 2BA4016 | Knife (Used on 42") | 1 |
| 51 | 2BB4001 | Knife (Used on 47") | 1 |
| 51 | 2BC4002 | Knife (Used on 52") | 4 |
| 52 | 225 | Screw (42" & 47") | 5 |
| 52 | 225 | Screw 52" | 1 |
| 53 | 2BA4018 | Backing Strip B (42") | 1 |
| 53 | 2BB4002 | Backing Strip B (47") | 1 |
| 53 | 2BC4018 | Backing Strip B (52") | 1 |
| 54 | 2BA4017 | Backing Strip A (42") | 2 |
| 54 | 2BB4003 | Backing Strip A (47") | 1 |
| 54 | 2BC4017 | Backing Strip A (52") | 1 |
| 55 | 2401 | Fitting | 1 |
| 56 | 930 | Hexagon Nut | 1 |
| 57 | 2BA2098 | Shear Block Spacer | 1 |
| 58 | 6034 | Socket Cap Screw | 1 |
| 59 | 3BA2068 | Retaining Clip | 2 |
| 60 | 2BA4047 | Right Shear Block Pin | 1 |
| 61 | 2BA4046 | Left Shear Block Pin | 1 |
| 62 | 2BA2089 | Shear Block (42", 47") | 2 |
| 62 | 2BA2089 | Right Shear Block (52") | 1 |
| 62 | 2BC2001 | Left Shear Block (52") | 1 |
| 63 | 2BA6045 | Shear Knife Bar (42") | 1 |
| 63 | 2BB6007 | Shear Knife Bar (47") | |
| 63 | 2BC7001 | Shear Knife Bar (52") | |