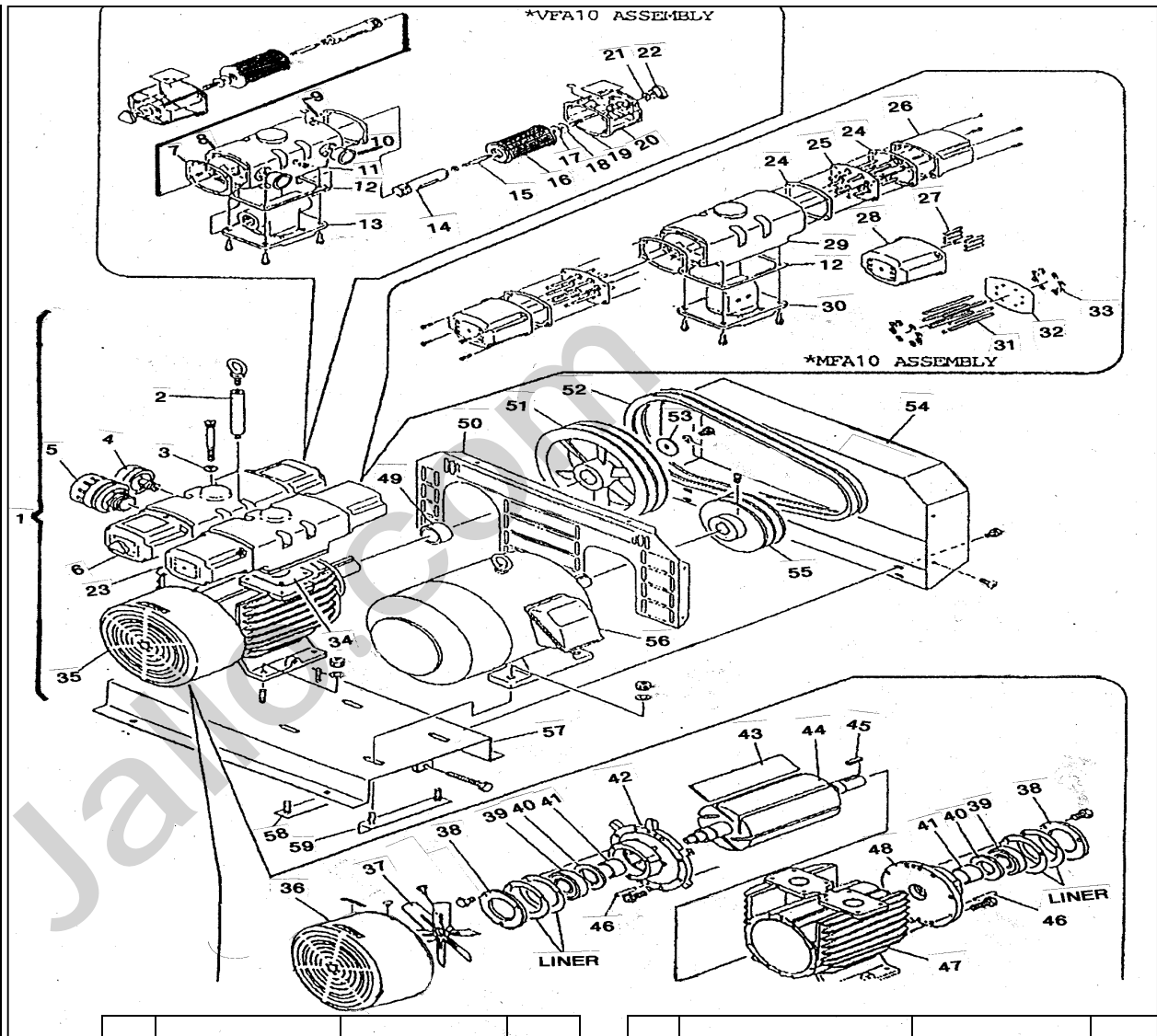


#	Part Name	Part Number	Qty.
1	KRA10-V Pump Only	KRA10-V-G1	1
2	Auxiliary Bolt	04002917010	1
3	Gasket ( C )	04000043010	8
4	D Type Compound Gauge	04040737010	1
5	VC100 Assembly	03001481010	1
6	VFA10 Assembly	03001422010	1
7	Rubber Packing	04006914010	2
8	Main Case	02000725010	1
9	Corrugated Spring Pin	33641205110	4
10	Blind Plug	50007007100	2
11	Blind Plug	50007002100	1
12	Gasket ( D )	04002843010	2
13	Sub Case A	03001423010	1
14	Filter Pipe	04002811010	2
15	Stay Bolt	04000023010	2
16	Filter Element	04000451010	2
17	Packing	04002868020	2
18	Washer	04000830010	2
19	Spring ( A )	04000320010	2
20	Filter Case ( B )	02000002010	2
21	Packing	04001458010	2
22	Knob Nut Assembly	04034947020	2
23	MFA10 Assembly	03001425010	1
24	Gasket ( B )	04000020010	4
25	Shield	04002844010	2
26	Muffler Case Assembly	03001427010	2
27	Muffler Pipe ( B )	04031399010	7
27	Muffler Pipe	04038223010	7
28	Muffler Case	03001428010	1
29	Main Case	02000725020	1
30	Sub Case B	03001426010	1
31	Muffler Pipe	04002893010	8
32	Shielding Disk	04002845010	1
33	Bush Nut	32005008100	16
34	Gasket ( A )	04002846010	2
35	KRA10 Bare Pump G-1	KRA10-G1	1
36	Fan Cover Assembly	03040702010	1
37	Cooling Fan Assembly	03000024030	1
38	Bearing Retainer	04000015050	2
39	Bearing (NSK)	39002124220	2
40	Spacer	04002840010	2
41	Spacer Collar	04002841010	3
42	Side Plate ( A )	03001419010	1
43	Vane (Blade)	04036531010	6
44	Rotor Assembly	02000768010	1
45	Parallel Key	33300842000	1



46	Taper Pin	33611114100	4
47	Cylinder	01000194010	1
48	Side Plate ( B )	03001420010	1
49	Collar	04002850010	1
50	Partition	02034575010	1
51	Fan Type Pulley	03001437010	1
52	V Belt	35300310440	2

53	Washer	04003851010	1
54	Belt Cover Assembly	03040710010	1
55	V Pulley	03001484020	1
56	Motor (Mitsubishi)	20100622080	1
57	Base Assembly	03004323010	1
58	Bolt Fixing Plate A	04007422010	1
59	Bolt Fixing Plate B	04007423010	1