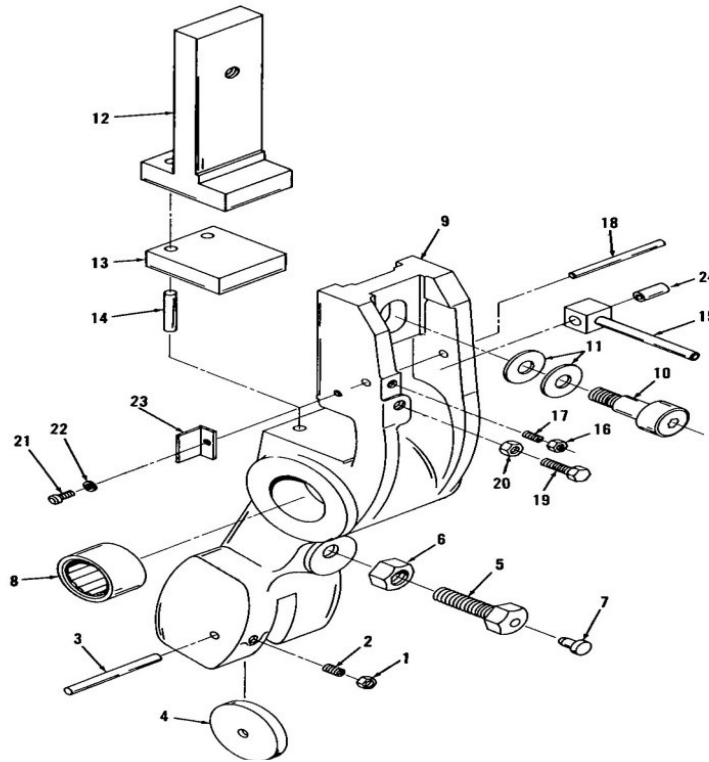


# Safety Latch Assembly 42", 47", 52"



Key No.	Part No.	Description	Qty.
1	4579	Nut, Hexagon 1/4-20 Steel	1
2	504CP	Setscrew, Socket Head, cup point 1/4-20 x 3/7"	1
3	2BA2232	Pin	1
4	2BA2085	Roller	1
5	2BG2100	Screw, Stop (used on 42" and 47" only)	1
5	2BA2083	Screw, Stop (used on 52" only)	1
6	927	Hut, Hexagon, 5/8-11 x 1" across flats, steel	1
7	2BG2102	Plug, Stop Screw (used on 42" and 47" only)	1
7	2BA2084	Plug, Stop Screw (used on 52" only)	1
8	5960	Bearing, Needle	2
9	2BB5005	Latch, Safety	1
10	6659	Screw, Shoulder 5/8" diameter x 3/4" long, steel	1
11	4548	Washer, Thrust	2
12	2BA4026	Plate, Safety Latch (42" only)	1
12	2BB4004	Plate, Safety Latch (47" and 52" only)	1
13	2BA2090	Block, Rubber (used on 47" only)	1
13	2BC2090	Block, Rubber (used on 52" only)	1
14	6209	Pin, spring	2
15	2BA2094	Carrier, Spring	1
16	4579	Nut, Hexagon 1/4-20 Steel	1
17	504CP	Setscrew, Socket Head, cup point 1/4-20 x 3/7"	1
18	2BA2097	Pin	1
19	6010	Screw, Hexagon head cap, 3/8-16 x 1" long	1
20	923	Nut, hexagon , 3/8-16, steel	1
21	2359	Screw, button head socket cap, 1/4-20 x 5/8" long, steel	1
22	1131	Washer, Flat 1/4", steel	1
23	2BA2081	Acuator, Switch	1
24	6658	Bushing, Oilite	1
25	666	Solenoid Coil	1
25	6666	Solenoid Complete	1