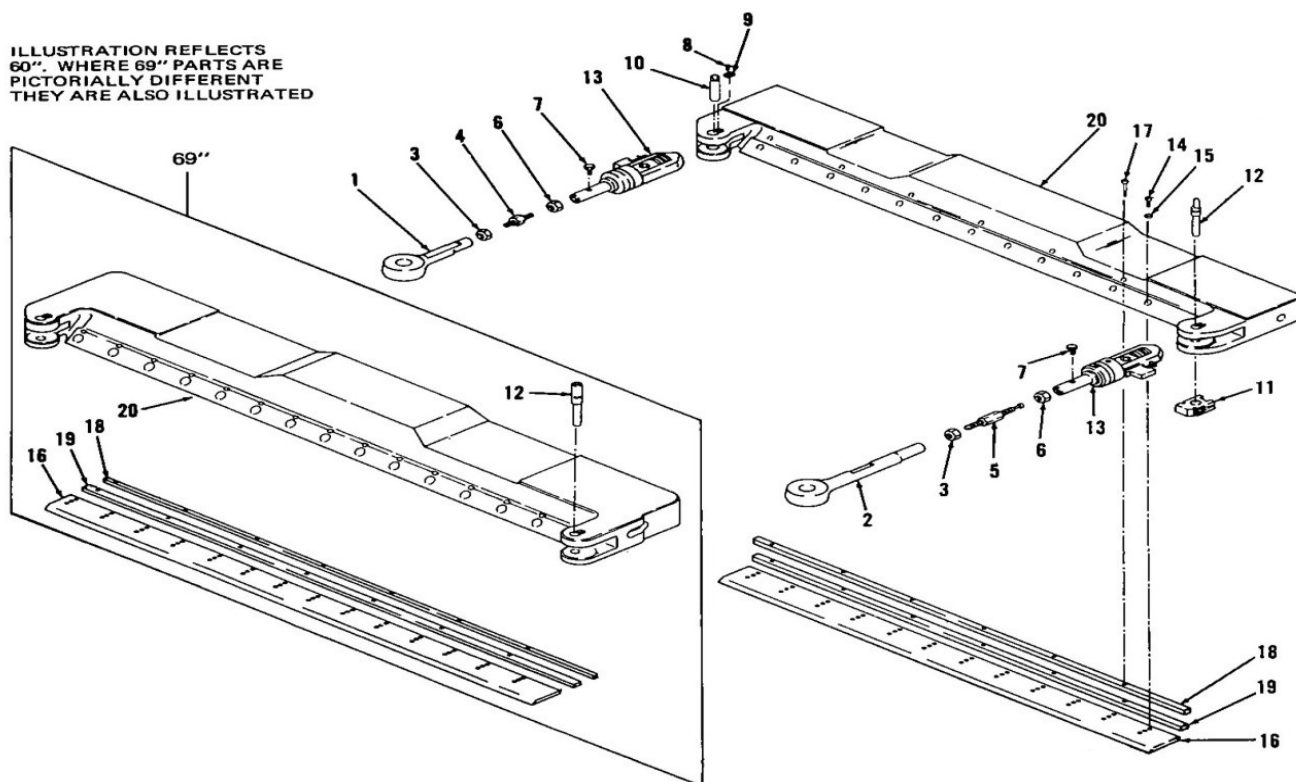


Lawson Knife Bar Assembly 60" & 69"

ILLUSTRATION REFLECTS
60". WHERE 69" PARTS ARE
PICTORIALLY DIFFERENT
THEY ARE ALSO ILLUSTRATED



Key No.	Part No.	Description	Qty.
1	2BA4011	Terminal, Left hand	1
2	2BA4010	Terminal, Right hand	1
3	2BA2092	Nut, Hexagon jam, left hand	2
4	2BA2042	Screw, Adjusting, left hand	1
5	2BG2016	Screw, Adjusting, right hand	1
6	2BA2091	Nut, Hexagon jam, right hand	2
7	2BA2104	Screw	2
8	6034	Screw, Button head socket cap, 5/16-18 x 1/2" long, steel	2
9	3BA2068	Clip, Retaining	2
10	2BA2046	Pin, Knife bar (used on 60")	1
10	2BG2014	Pin, Knife bar (used on 69")	1
11	2BA2062	Block, Shear	1
12	2BE2040	Stud, Shear Block (used on 60" only)	1
12	2BG2010	Stud, Shear Block (used on 69" only)	1
13	2BG5004	Overload, Pull bar	2
14	2BA2044	Bolt, Knife 1/2- 13 x 1	11
15	2BA2045	Washer, knife	11
16	2BE5046	Knife (used on 60" only)	1
16	2BG4005	Knife (used on 69" only)	1
17	225	Screw, socket head cap, 3/8-16 x 2"	7
18	2BE5047	Backing Strip A, 5/8" wide (used on 60" only)	1
18	2BG4003	Backing Strip A, 5/8" wide (used on 60" only)	1
19	2BE5048	Backing Strip B, 1-1/4" wide (used on 60" only)	1
19	2BG4004	Backing Strip B, 1-1/4" wide (used on 69" only)	1
20	2BE6027	Knife Bar (used on 60" only)	1
20	2BG6000	Knife Bar (used on 69" only)	1