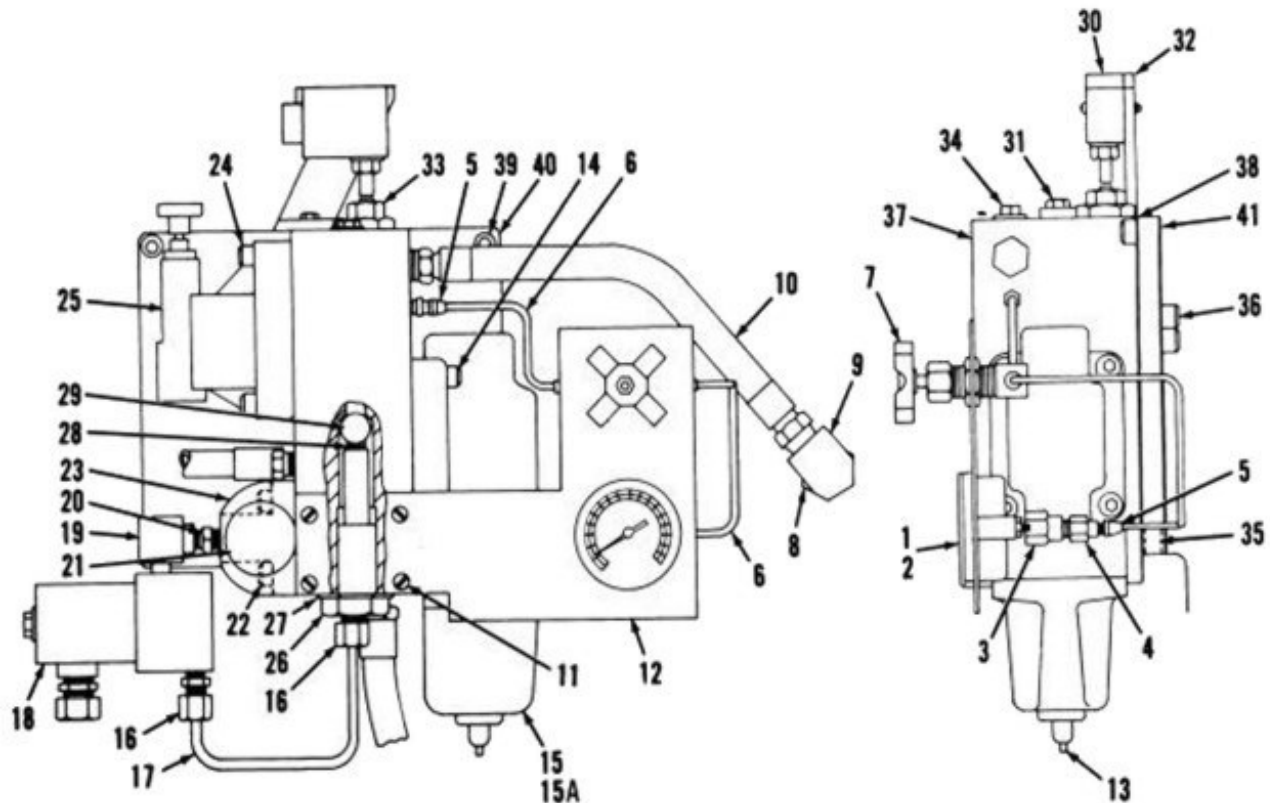


**Lawson Hydraulic Systems- Front View
For 42, 47 & 52" S.E.P. Paper Cutters**



Key No.	Part No.	Description	Qty.
1	5AC2298	Pressure Gauge	1
2	5BA2071	Spacer	1
3	6104	Snubber	1
4	6140	Bushing	1
5	6143	Connector	1
6	3297	Tubing	AR
7	2532	Shut-off Valve	1
8	5BC2012	Fitting	1
9	7771	Elbow	1
10	7777	Hose Assembly	1
11	852	Screw	4
12	5BB2320	Bracket	1
13	5BB2321	Plunger	1
14	223	Screw	4
15	7792	Four Way Valve	1
15A	6666	Solenoid	1
16	6867	Connector	2
17	6873	Tubing	AR
18	7719	Check Valve	1
19	7369	Elbow	1
20	6863	Nipple	1

Key No.	Part No.	Description	Qty.
21	5BA2075	Locknut	1
22	1251	Screw	4
23	6084	Valve	1
24	4530	Screw	4
25	5762	Valve	1
26	5BA2074	Housing	1
27	6107	Seal Washer	1
28	0BA2004	Spring	1
29	3677	Ball	1
30	2696	Switch	1
31	100	Screw	4
32	5BA2076	Bracket	1
33	5BA2079	Switch Assembly	1
34	3505	Plug	1
35	222	Screw	4
36	220	Screw	2
37	5BB6005	Sub plate	1
38	5BA2068	Gasket	1
39	223	Screw	4
40	5BA4013	Support	1
41	5BA2084	Gasket	1

LCM1001- O-ring kit for Vicker Main Relief. Vicker Remote Control & Racine 4-Way Valve