



Lawson Paper Cutter Parts Breakdown

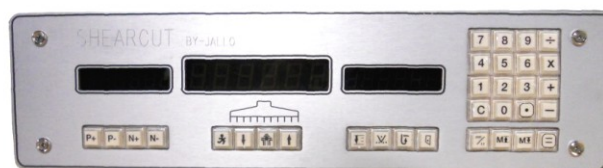
Sales and Service

**3029 S. 26th Ave.
Broadview, IL 60155**

P: 708-410-1780

F: 708-410-1790

jallo@ais.net



jallo.com

Jallo Stocks Many Parts for Lawson Paper Cutters



Knife Bolt and Washer
Part #: 2BA2045 & 2BA2044



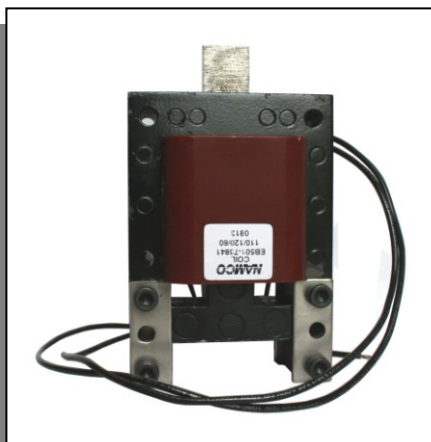
Shear Bolts
Part #: 2BA2155



Clutch and Brake Rings
Part#: LCM-323 & 2BA5012



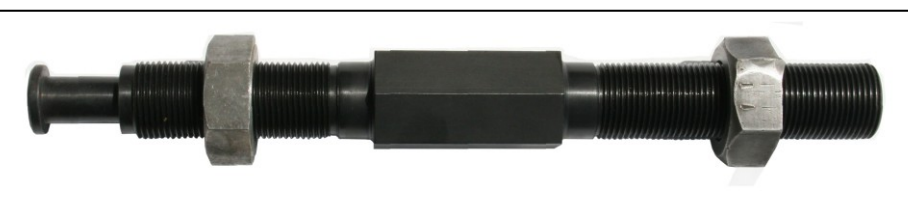
Safety Latch Solenoid
Part #: LC-1873



Safety Latch Solenoid
Part#: LC-6666



Foot Treadle Solenoid
Part #: LC-8976



Adjustment Screw
Part#: 2BA4029

Serving the Industry for over 30 years as a successor company, and with over 25 years experience in the Graphic Arts Industries, Jallo sells Equipment and Supplies to the Printing, Converting and Related Industries.

Jallo now has many items for your Lawson Paper Cutters, Model Pacemaker II and newer in stock.

Jallo also has many parts for your Lawson and RB-HFD Paper Drilling machines, In Stock!

Call Jallo Now for our great prices and to schedule service.

P: 708-410-1780

F: 708-410-1790

www.jallo.com



Shear Block
Part #: 2BA2062

Stock Items Continued:

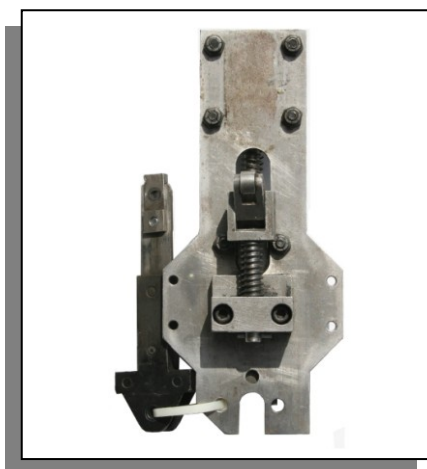
- ✓ Backgauge Items such as Nylon Inserts, Table Sliders
- ✓ False Clamp Plate for 42", 47", 52", 60", 70" Cutters
- ✓ Cutting Sticks for 42", 47", 52", 60", 70"
- ✓ Backing Up Strips
- ✓ Encoders
- ✓ Stick Ejectors
- ✓ Air Jets
- ✓ Pacemaker II Cut Buttons
- ✓ Pacemaker IV Cut Buttons
- ✓ Knife Sharpening



Main Relief Valve- Old Style
Part #: LC-6082



Hydraulic Pump
Part #: LC-6803



Foot Treadle Assembly



Flow Control Valve
Part #: LC-3539



Main Relief Valve
Part #: LC-5762

Lawson Cutter Oils and Applicator

- Hydraulic Oil
- Gear Case Oil
- Lead Screw Oil
- Applicator



Used Paper Cutters

- Lawson Pacemaker II 42" w/Microcut Computer & Gergek SEP
- Lawson Pacemaker II 42"
- Lawson 47" MPU
- Lawson Pacemaker II 47" w/Shear Cut Computer
- Lawson MPU-52 & MCC
- Lawson Pacemaker II 60" w/Computer DEP
- Lawson Pacemaker II 70" w/Computer DEP

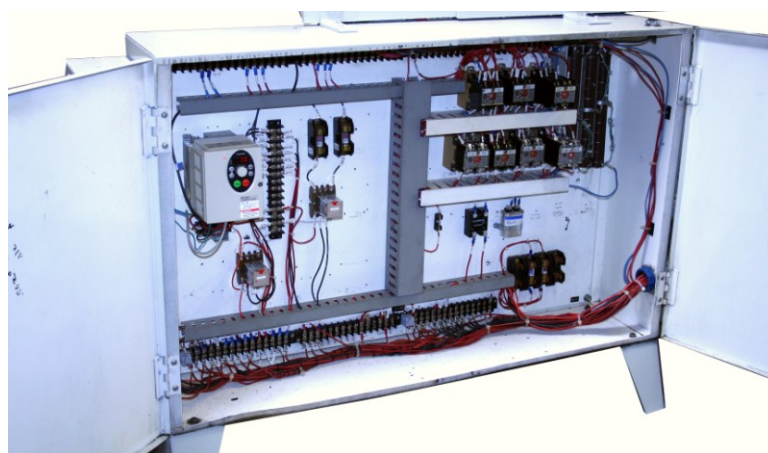


Lawson Pacemaker II 42" w/Microcut Computer

Featuring Lawson 42" Pacemaker II SEP Paper Cutter with new Shearcut Computer- Refurbished

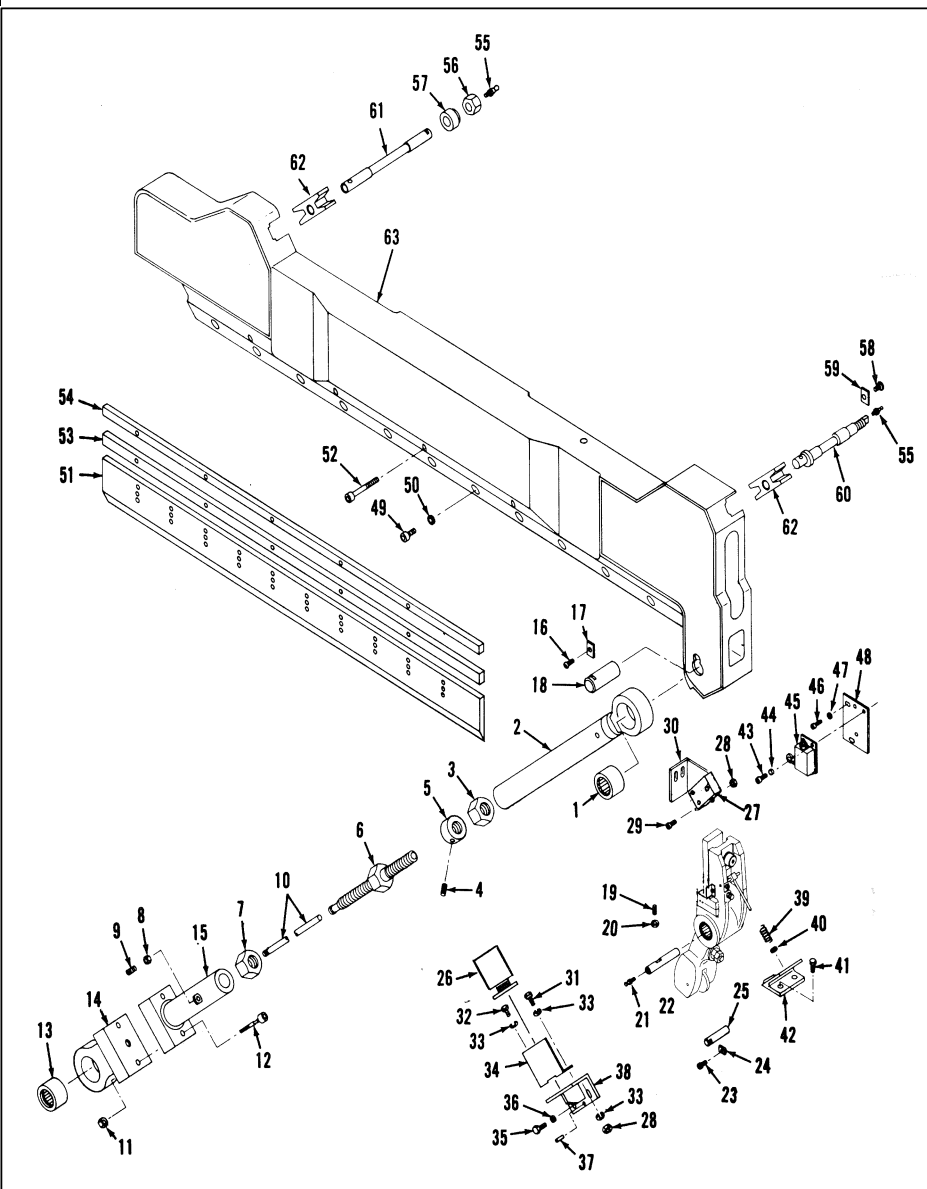


- Fingered Hydraulic Adjustable Clamp
- Truly Cushioned Hydraulic Clamping
- 6.00" Clamp Opening
- 4.00" Clamp Depth, .75" minimum cut
- 42 Strokes per Minute Cutting Speed
- Heavy Duty Multi-Mesh "Cone" Gear Driven Knife Action (seven tooth and gear in constant mesh)
- Safety Two hand Knife Cycling
- Pull Bar Overloading Device
- Right & Left Hand Extension Tables
- Misc. Parts, Manuals, Tools, and Accessories
- Two (2) Used Cutting Knives
- Wired 220/3/60



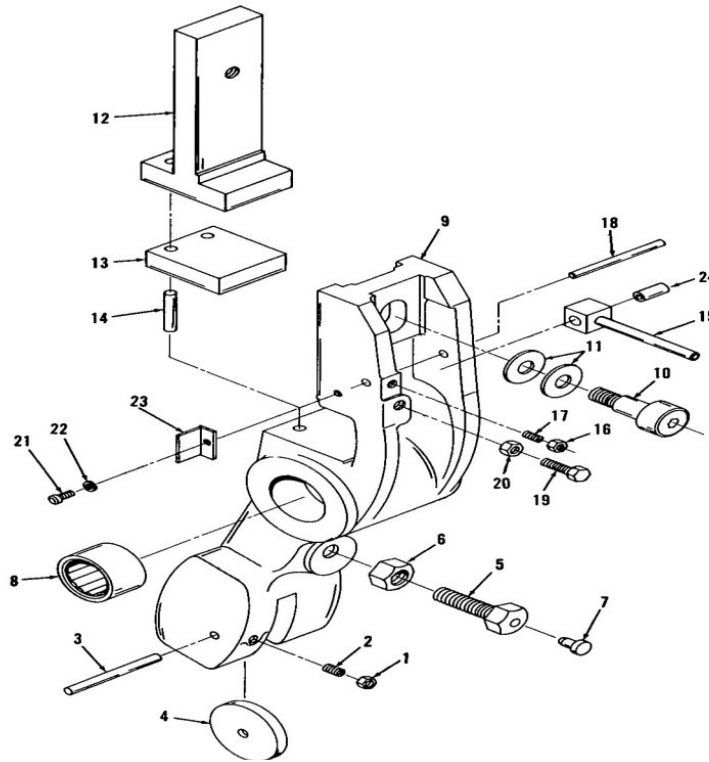
Knife Bar Assembly for Lawson 42", 47" and 52"

#	Part No.	Description	Qty
1	6667	Neddle Bearing	1
2	2BA4048	Upper Pull Bar	1
3	2BA2091	Hexagon Nut (Right)	1
4	520CP	Setscrew	1
5	2BA2158	Collar	1
6	2BA4029	Adjusting Screw	1
7	2BA2092	Hexagon Nut (Left)	1
8	923	Hexagon Nut	1
9	523CP	Setscrew	1
10	2BA2152	Safety Rod	1
11	982	Self Locking Nut	2
12	2BA2155	Shear Bolt	2
13	6044	Neddle Bearing	2
14	2BA4049	Overload Terminal	1
15	2BA4050	Flange Assembly	1
16	6034	Button Head Screw	1
17	3BA2068	Retaining Clip	1
18	2BA2101	Knife Bar Pin	1
19	547CP	Socket Head Setscrew	1
20	925	Hexagon Nut	1
21	2404	Fitting	1
22	2BA2234	Safety Latch Shaft	1
			1
23	6034	Button Head Screw	1
24	3BA2068	Retaining Clip	1
25	2BA2086	Rod	1
26	6666	Saftey Latch Solenoid	1
27	6487	Limit Switch	1
28	980	Self Locking Nut	7
29	206	Socket Head Cap Screw	3
30	2BA2080	Switch Mounting Plate	1
31	6046	Hexagon Head Cap Screw	2
32	204	Socket Head Cap Screw	2
33	1190	Lock Washer	4
34	2BA4056	Solenoid Cover	1
35	6010	Hexagon Head Cap Screw	2
36	1133	Flat Washer	2
37	2098	Spring Pin	1
38	2BA2164	Solenoid Mounting Bracket	1
39	0BA2025	Spring (Used on 42", 47")	1



#	Part No.	Description	Qty
39	0BA2024	Spring (Used on 52")	1
40	6540	Thrust Washer	1
41	6010	Hexagon Head Cap Screw	2
42	2BB2000	Stop Bracket	1
43	204	Socket Head Cap Screw	3
44	2BA2242	Spacer	3
45	6743	Limit Switch	1
46	202	Socket Head Cap Screw	2
47	1131	Flat Washer	2
48	2BA2241	Switch Mounting Bracket	1
			1
49	2BA2044	Knife Bolt (42" & 47")	9
49	2BA2044	Knife Bolt (52")	11
50	2BA2045	Knife Bolt Washer (42", 47")	9
50	2BA2045	Knife Bolt Washer (52")	11
50	2BA4016	Knife (Used on 42")	1
51	2BB4001	Knife (Used on 47")	1
51	2BC4002	Knife (Used on 52")	4
52	225	Screw (42" & 47")	5
52	225	Screw 52"	1
53	2BA4018	Backing Strip B (42")	1
53	2BB4002	Backing Strip B (47")	1
53	2BC4018	Backing Strip B (52")	1
54	2BA4017	Backing Strip A (42")	2
54	2BB4003	Backing Strip A (47")	1
54	2BC4017	Backing Strip A (52")	1
55	2401	Fitting	1
56	930	Hexagon Nut	1
57	2BA2098	Shear Block Spacer	1
58	6034	Socket Cap Screw	1
59	3BA2068	Retaining Clip	2
60	2BA4047	Right Shear Block Pin	1
61	2BA4046	Left Shear Block Pin	1
62	2BA2089	Shear Block (42", 47")	2
62	2BA2089	Right Shear Block (52")	1
62	2BC2001	Left Shear Block (52")	1
63	2BA6045	Shear Knife Bar (42")	1
63	2BB6007	Shear Knife Bar (47")	
63	2BC7001	Shear Knife Bar (52")	

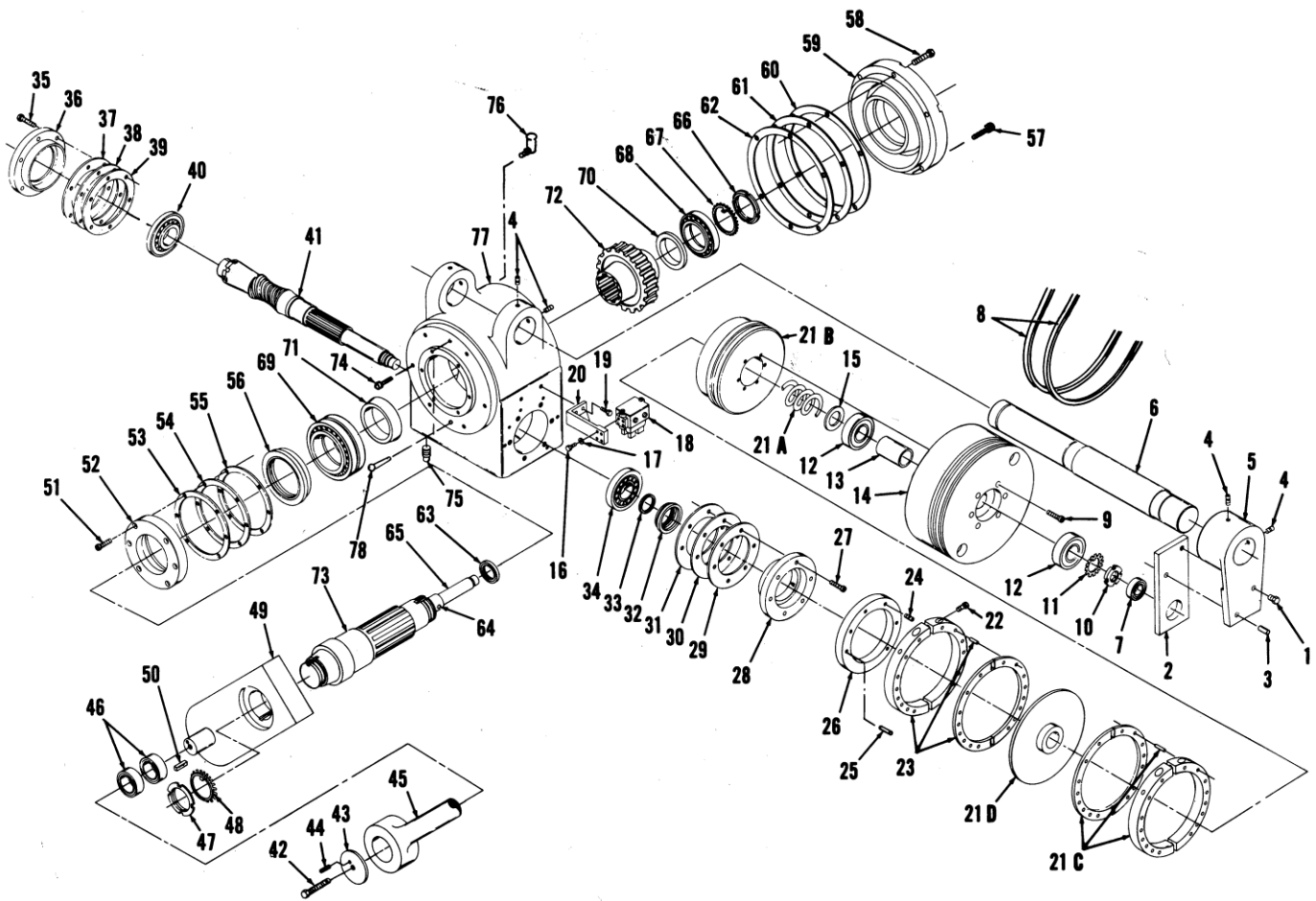
Safety Latch Assembly 42", 47", 52"



Key No.	Part No.	Description	Qty.
1	4579	Nut, Hexagon 1/4-20 Steel	1
2	504CP	Setscrew, Socket Head, cup point 1/4-20 x 3/7"	1
3	2BA2232	Pin	1
4	2BA2085	Roller	1
5	2BG2100	Screw, Stop (used on 42" and 47" only)	1
5	2BA2083	Screw, Stop (used on 52" only)	1
6	927	Hut, Hexagon, 5/8-11 x 1" across flats, steel	1
7	2BG2102	Plug, Stop Screw (used on 42" and 47" only)	1
7	2BA2084	Plug, Stop Screw (used on 52" only)	1
8	5960	Bearing, Needle	2
9	2BB5005	Latch, Safety	1
10	6659	Screw, Shoulder 5/8" diameter x 3/4" long, steel	1
11	4548	Washer, Thrust	2
12	2BA4026	Plate, Safety Latch (42" only)	1
12	2BB4004	Plate, Safety Latch (47" and 52" only)	1
13	2BA2090	Block, Rubber (used on 47" only)	1
13	2BC2090	Block, Rubber (used on 52" only)	1
14	6209	Pin, spring	2
15	2BA2094	Carrier, Spring	1
16	4579	Nut, Hexagon 1/4-20 Steel	1
17	504CP	Setscrew, Socket Head, cup point 1/4-20 x 3/7"	1
18	2BA2097	Pin	1
19	6010	Screw, Hexagon head cap, 3/8-16 x 1" long	1
20	923	Nut, hexagon , 3/8-16, steel	1
21	2359	Screw, button head socket cap, 1/4-20 x 5/8" long, steel	1
22	1131	Washer, Flat 1/4", steel	1
23	2BA2081	Acuator, Switch	1
24	6658	Bushing, Oilite	1
25	666	Solenoid Coil	1
25	6666	Solenoid Complete	1

Right Hand Gear Box for 42, 47, & 52" S.E.P.

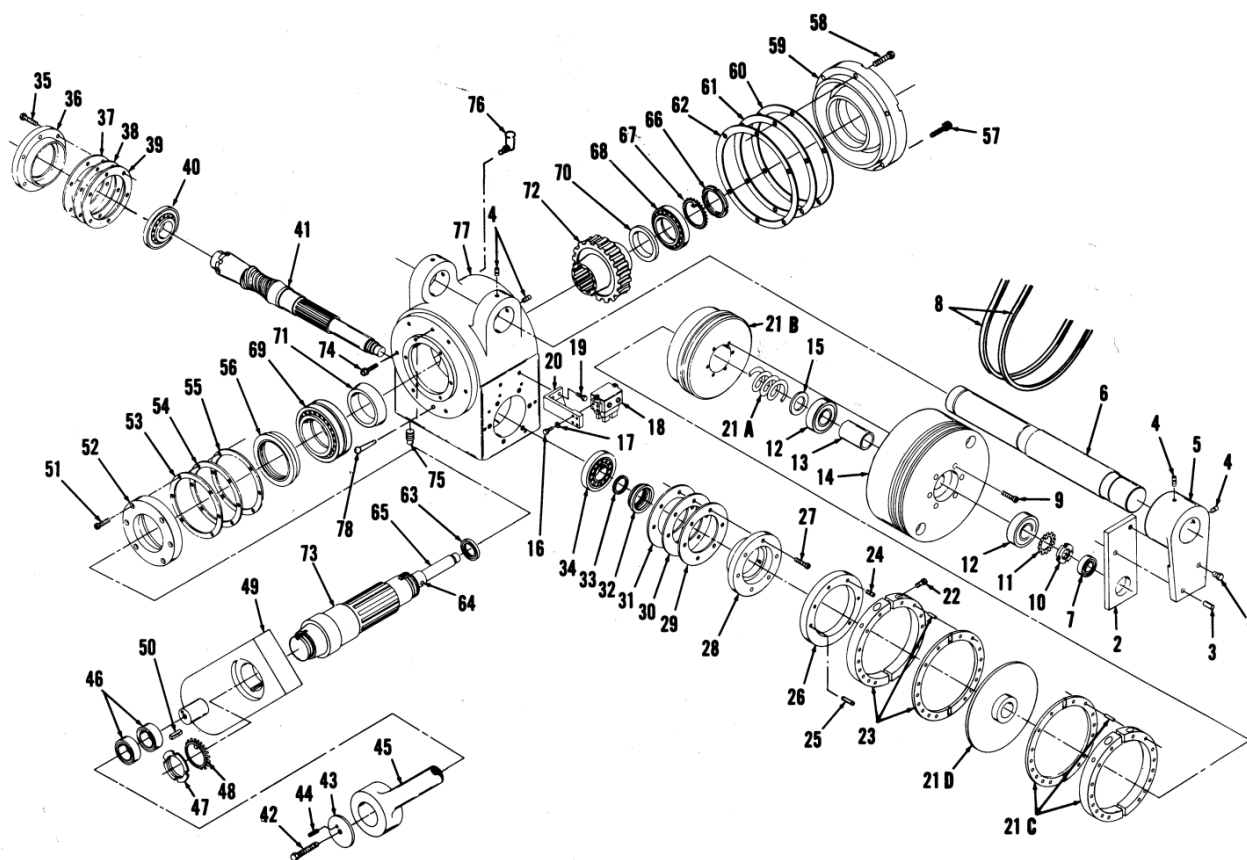
Lawson



#	Part #	Description	Qty
1	6207	Screw	2
2	6BA2055	Plate Mounting	1
3	6BA2057	Taper Pin	2
4	544CP	Setscrew	6
5	6BA5017	Bracket	1
6	6BA4025	Bracket Support	1
7	6206	Ball Bearing	1
8	8639	V Belt	1
9	224	Socket head Screw	6
10	958	Lock Nut Bearing	1
11	1158	Lock Bearing Washer	1
12	6012	Spacer	2
13	6BA2025	Flywheel	1
14	6BB5005	Spacer	1
15	6BA2027	Screw	1
16	671	Washer	4
17	1171	Washer	4
18	1493	Brush Holder	1
19	6047	Screw	2
20	6BA2045	Bracket	1

#	Part #	Description	Qty
21	6BA5005	Magnetic Clutch Assem.	1
21A	LCM-18	Spring	1
21B	NO #	Armature Assem.	1
21C	LCM-323	Adjusting ring & lining	1
21D	LCM-324	Hub & center plate	1
22	223	Screw	2
23	6BA5012	Brake Shoe Assembly	1
24	221	Screw	6
25	3113	Dowel Pin	1
26	6BA4012	Brake Shoe Adapter	1
27*	241	Screw	6
28*	6BA4013	Cap	1
29-31*	6BA20_	28,35,32- Plastic Shims	AR
32*	6015	Oil Seal	1
33*	6BA2058	Spacer	1
34*	6014	Roller Bearing	1
35*	6051	Screw	6
36*	6BA5015	Cap	1
37-39*	6BA20_	59,60,61- Plastic Shims	AR
37-40*	6016	Roller Bearing	1

**Right Hand Gear Box for 42, 47, & 52" S.E.P.
Lawson (Continued)**

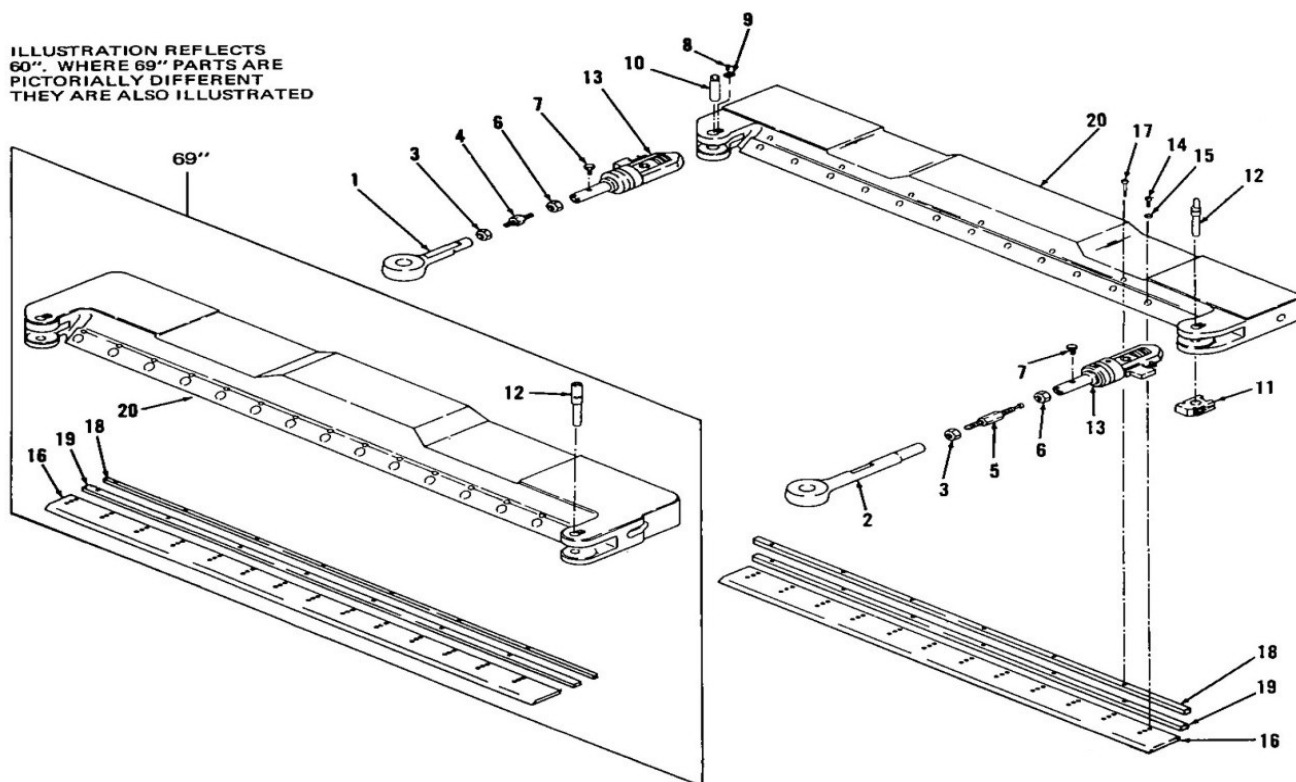


#	Part #	Description	Qty
41*	6BA6013	Wormshaft	1
42*	6051	Screw	1
43*	2BA2067	Crank Washer	1
44*	2062	Spring Pin	1
45*	2BA2048	Terminal	1
46*	6044	Needle Bearing	2
47*	964	Lock Nut Bearing	1
48*	1164	Lock Bearing Washer	1
49*	2BB5002	Crank Assembly	1
50*	6BA2104	Key	1
51*	244	Screw	6
52*	6BA4018	Cap	1
53-55*	6BA20_	36,37,38- Plastic Shims	AR
56*	6019	Oil Seal	1
57*	245	Socket Head Cap Screw	1
58*	6042	Hexagon Head Cap Screw	5
59*	6BA5009	Cap	1
60-62*	6BA20_	39,40,41- Plastic Shims	AR
63*	6020	Oil Seal	1
64*	1572	Taper Pin	1
65*	6BA2047	Camshaft	1

66*	964	Nut	1
67*	1164	Washer	1
68*	6023	Bearing	1
69*	6018	Roller Bearing	1
70-71*	6BA4016 & 6BA4017	Spacers	1
72*	6BA5007	Worm gear	1
73*	6BA5008	Crankshaft	1
74	251	Socket Head Cap Screw	6
75*	3823	Plug	1
76*	2426	Oil Gauge	1
77*	6BA6009	Right Hand Gear Box	1
78	6BA2054	Threaded taper Pin	2
*	6BB6000	GEARBOX- Complete, consisting	
		of all the parts asterisked.	

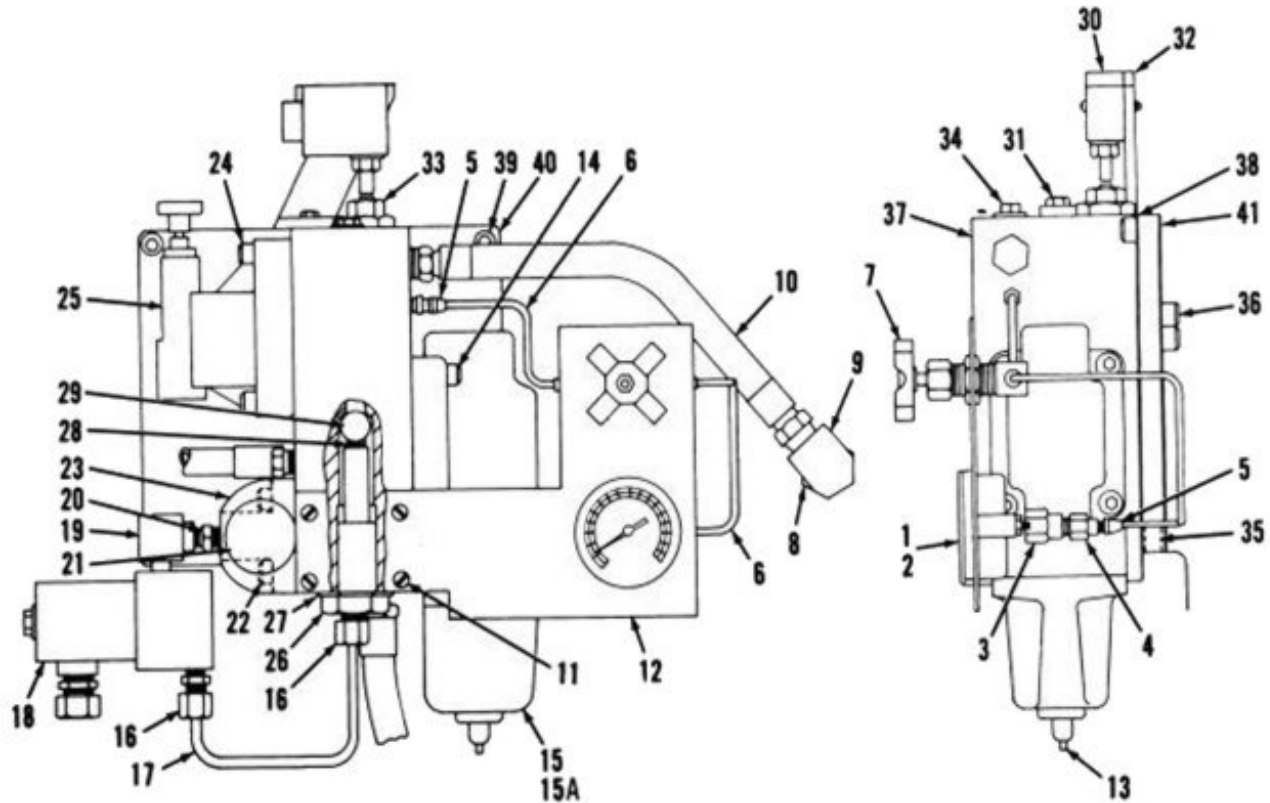
Lawson Knife Bar Assembly 60" & 69"

ILLUSTRATION REFLECTS
60". WHERE 69" PARTS ARE
PICTORIALLY DIFFERENT
THEY ARE ALSO ILLUSTRATED



Key No.	Part No.	Description	Qty.
1	2BA4011	Terminal, Left hand	1
2	2BA4010	Terminal, Right hand	1
3	2BA2092	Nut, Hexagon jam, left hand	2
4	2BA2042	Screw, Adjusting, left hand	1
5	2BG2016	Screw, Adjusting, right hand	1
6	2BA2091	Nut, Hexagon jam, right hand	2
7	2BA2104	Screw	2
8	6034	Screw, Button head socket cap, 5/16-18 x 1/2" long, steel	2
9	3BA2068	Clip, Retaining	2
10	2BA2046	Pin, Knife bar (used on 60")	1
10	2BG2014	Pin, Knife bar (used on 69")	1
11	2BA2062	Block, Shear	1
12	2BE2040	Stud, Shear Block (used on 60" only)	1
12	2BG2010	Stud, Shear Block (used on 69" only)	1
13	2BG5004	Overload, Pull bar	2
14	2BA2044	Bolt, Knife 1/2- 13 x 1	11
15	2BA2045	Washer, knife	11
16	2BE5046	Knife (used on 60" only)	1
16	2BG4005	Knife (used on 69" only)	1
17	225	Screw, socket head cap, 3/8-16 x 2"	7
18	2BE5047	Backing Strip A, 5/8" wide (used on 60" only)	1
18	2BG4003	Backing Strip A, 5/8" wide (used on 60" only)	1
19	2BE5048	Backing Strip B, 1-1/4" wide (used on 60" only)	1
19	2BG4004	Backing Strip B, 1-1/4" wide (used on 69" only)	1
20	2BE6027	Knife Bar (used on 60" only)	1
20	2BG6000	Knife Bar (used on 69" only)	1

Lawson Hydraulic Systems- Front View
For 42, 47 & 52" S.E.P. Paper Cutters

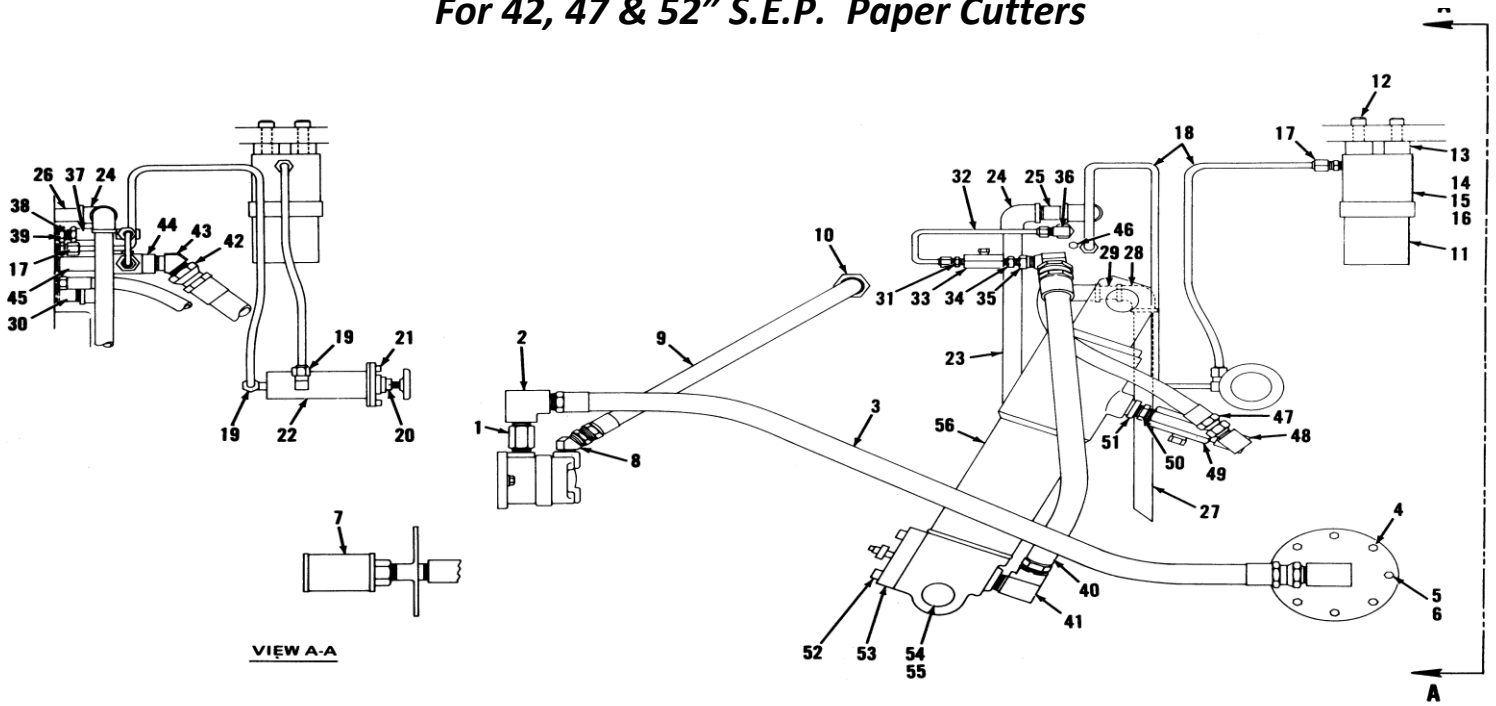


Key No.	Part No.	Description	Qty.
1	5AC2298	Pressure Gauge	1
2	5BA2071	Spacer	1
3	6104	Snubber	1
4	6140	Bushing	1
5	6143	Connector	1
6	3297	Tubing	AR
7	2532	Shut-off Valve	1
8	5BC2012	Fitting	1
9	7771	Elbow	1
10	7777	Hose Assembly	1
11	852	Screw	4
12	5BB2320	Bracket	1
13	5BB2321	Plunger	1
14	223	Screw	4
15	7792	Four Way Valve	1
15A	6666	Solenoid	1
16	6867	Connector	2
17	6873	Tubing	AR
18	7719	Check Valve	1
19	7369	Elbow	1
20	6863	Nipple	1

Key No.	Part No.	Description	Qty.
21	5BA2075	Locknut	1
22	1251	Screw	4
23	6084	Valve	1
24	4530	Screw	4
25	5762	Valve	1
26	5BA2074	Housing	1
27	6107	Seal Washer	1
28	0BA2004	Spring	1
29	3677	Ball	1
30	2696	Switch	1
31	100	Screw	4
32	5BA2076	Bracket	1
33	5BA2079	Switch Assembly	1
34	3505	Plug	1
35	222	Screw	4
36	220	Screw	2
37	5BB6005	Sub plate	1
38	5BA2068	Gasket	1
39	223	Screw	4
40	5BA4013	Support	1
41	5BA2084	Gasket	1

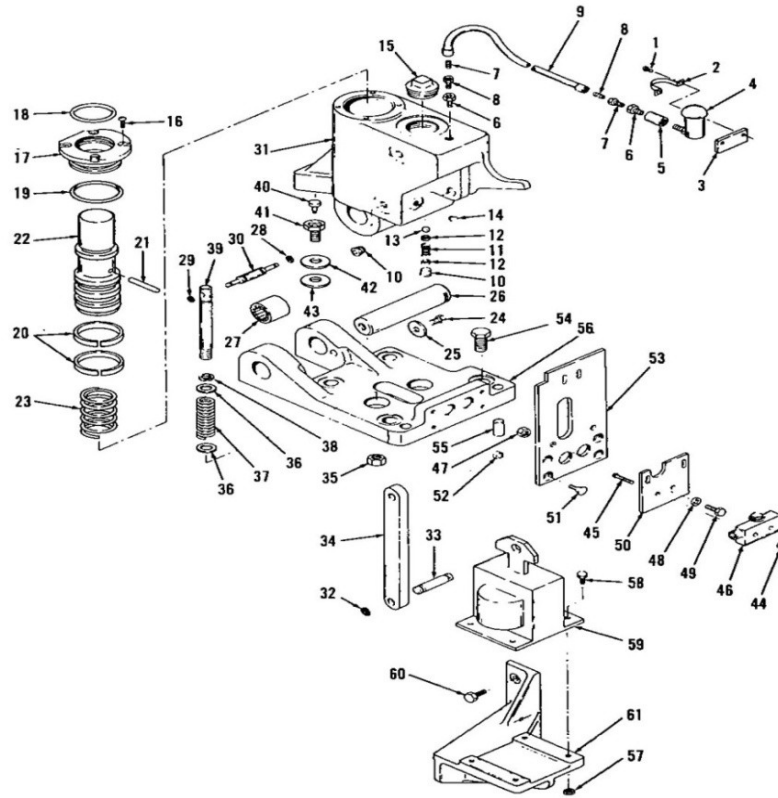
LCM1001- O-ring kit for Vicker Main Relief. Vicker Remote Control & Racine 4-Way
 Valve

Lawson Hydraulic Systems-Rear View For 42, 47 & 52" S.E.P. Paper Cutters



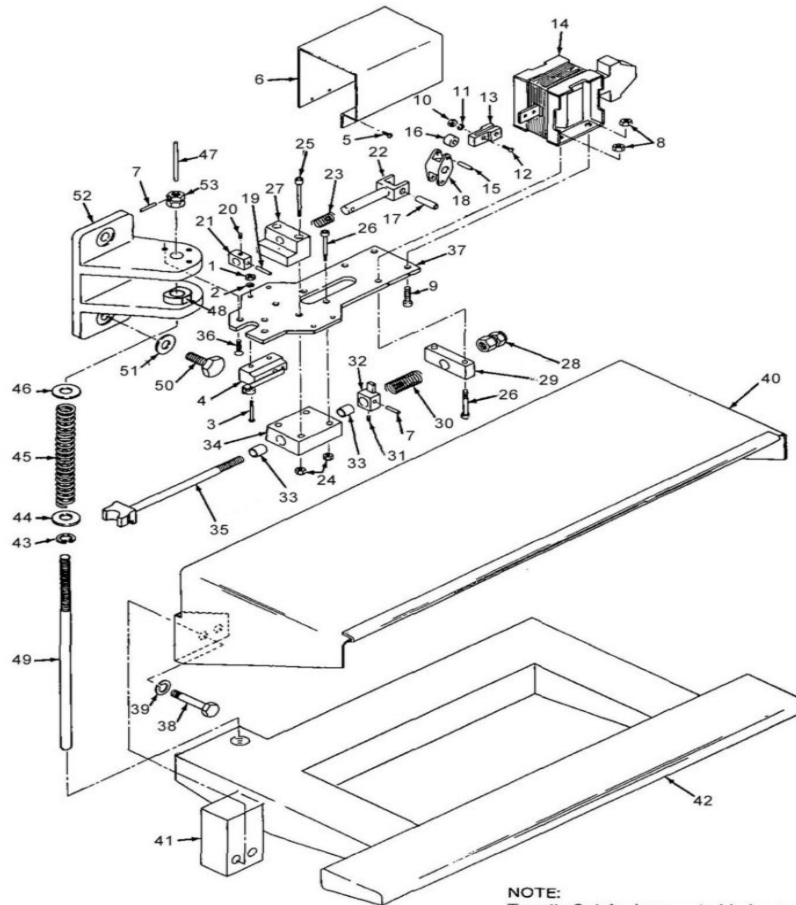
Key No.	Part No.	Description	Qty.
1	6803	Hydraulic Pump	1
1a	7620	Nipple	1
2	7621	Elbow	1
3	7775	Hose Assembly	1
3	7774	Hose Assembly	1
4	101	Screw	8
5	5BC2010	Adapter	1
6	1BE2002	Gasket	1
7	3801	Filter	1
8	8909	Elbow	1
9	7776	Hose Assembly	1
10	5BC2012	Bulk Head Fitting	1
11	5BA4012	Vent Valve	1
12	5BA2095	Screw	2
13	5BA2116	Spacer	2
14	502CP	Setscrew	1
15	5BA4014	Manifold	1
16	6110	O-Ring	1
17	6542	Connector	1
18	7768	Tubing	AR
19	1936	Elbow	2
20	923	Nut	2
21	202	Screw	4
22	3333	Relief Valve	1
23	5BA2086	Dump Pipe	1
24	6156	Elbow	2
25	6158	Nipple	1
26	6157	Nipple	1
27	5BA2085	Dump Pipe	1
28	6156	Elbow	2
29	3870	Nipple	1

Key No.	Part No.	Description	Qty.
30	6158	Nipple	1
31	5310	Connector	1
32	6873	Tubing	AR
33	6872	Flow Control	1
34	6863	Nipple	1
35	6865	Bushing	1
36	5310	Connector	1
37	6864	Check Valve	1
38	6863	Nipple	1
39	5295	Bushing	1
40	6116	Hose Assembly	1
40	6569	Hose Assembly	1
41	5384	Elbow	1
42	6109	Fitting	1
43	6617	Elbow	1
44	6862	Tee	1
45	7620	Nipple	1
46	3970	Plug	1
47	6115	Hose Assembly	1
47	5389	Hose Assembly	1
48	6114	Elbow	1
49	3539	Flow Control	1
50	5387	Nipple	1
51	5386	Bushing	1
52	223	Screw	4
53	5BA4062	Valve	1
54	5BG2006	Pin	1
55	2488	O-Ring	1
56	5BG5003	Cylinder 47" & 52"	1
56	5BA6052	Cylinder 42"	1



Key no.	Part No.	Description	Qty.
1	202	Screw, Socket Head Cap	2
2	2BG2012	Strap	1
3	2BG2011	Block, Spacer	1
4	2533	Oil Cup, Style YB	1
5	3986	Coupling, Pipe 1/8" IPS	1
6	4207	Adapter, Straight	2
7	4206	Bushing, Compression	2
8	4205	Sleeve, Compression	2
9	4204	Hose Assembly	1
10	3416	Plug, Pipe, hexagon socket	1
11	OBA2005	Spring	1
12	4452	Washer, Flat Ball, 3/8"	1
13	3679	Plug, Pipe, hex socket 1/8"	1
14	3970	Plug, Pipe, hex socket 1/8"	2
15	3346	Plug, Pipe, square head	1
16	1291	Screw, Socket head cap	4
17	2BG2007	Cap	1
18	4550	Packing, O-Ring, teflon	1
19	2423	Packing, O-Ring	1
20	5626	Ring, Piston	2
21	2BG2026	Pin	1
22	2BG2025	Plunger	1
23	OBG2000	Spring	1
24	6034	Screw, button head socket cap	1
25	3BA2068	Washer	1
26	2BG2003	Pin	1
27	6086	Bearing, Needle	2
28	1727	Ring, Retaining	2
29	1881	Ring, Retaining	2
30	2BG2009	Pin	1

31	2BG5001	Housing, dash pot	1
32	1727	Ring, Retaining	2
33	2BG2040	Pin, Solenoid	1
34	2BG2008	Link	1
35	983	Nut, Self-locking	2
36	4549	Washer, Oilite	4
37	OBG2001	Spring	2
38	1727	Ring, Retaining	2
39	2BG2006	Stud	1
40	2BG2102	Plug, nylon	1
41	2BG2100	Plug	1
42	4547	Washer, Thrust	2
43	4548	Washer, Thrust	2
44	6145	Nut, Self-locking	4
45	647	Screw, Round Head	4
46	2696	Switch, Micro	2
47	993	Nut, Self-locking	2
48	4033	Washer, Flat Ball, 3/8" Diameter	2
49	4501	Screw, Socket head cap	2
50	2BG2002	Holder, Switch	1
51	1637	Screw, Hexagon socket, flat head	4
52	2BG2101	Spacer	4
53	2BG2001	Plate, switch	1
54	144	Screw, Hexagon socket, flat head	4
55	4190	Pin, Dowel	2
56	2BG5002	Base	1
57	980	Nut, Self-locking	4
58	104	Screw, hexagon head cap	4
59	1873	Solenoid	1
60	143	Screw, hexagon head cap	2
61	2BF4002	Bracket, solenoid	1



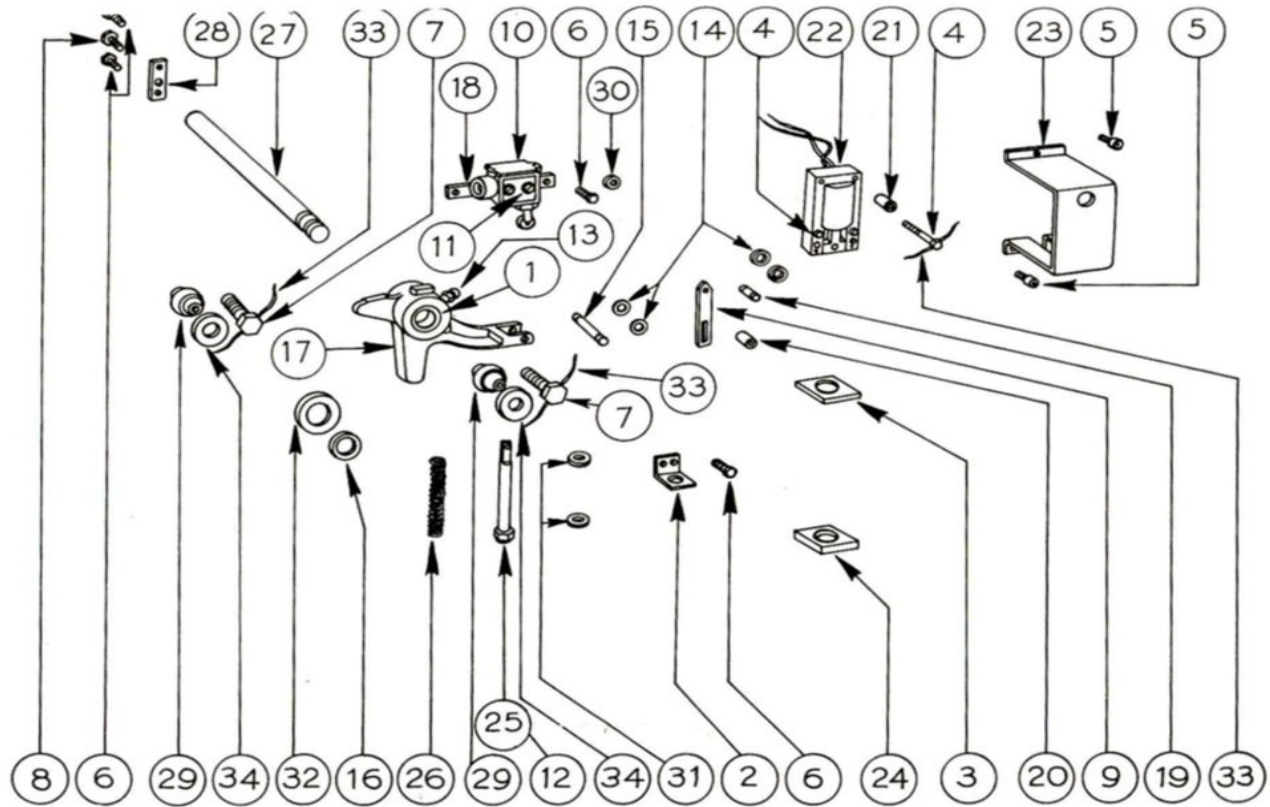
NOTE:
Treadle Sol-Ass'y mounted in base on 42".

Key No.	Part No.	Description	Qty.
1	H35006	Nut	4
2	H36728	Lock Washer	4
3	H50535	Screw	4
4	8907	Switch	2
5	6509	Screw	4
6	5BB4018	Cover	1
7	RP410	Spring Pin	5
8	H36040	Nut	4
9	H46288	Screw	2
10	H35007	Nut	1
11	H36734	Lock washer	2
12	H50590	Screw	2
13	HBB2323	Shoe	1
14	8976	Solenoid	1
15	DP45	Dowel Pin	2
16	5BB4015	Roller	2
17	DP69	Dowel Pin	1
18	5BB4013	Lever	1
19	RP412	Spring Pin	1
20	H53731	Setscrew	1
21	HBB4012	Collar	1
22	5BB4014	Yoke	1
23	8364	Spring	4
24	H36040	Self locking Nut	2
25	H46298	Screw	4
26	H46293	Screw	1
27	5BB4008	Yoke	1
28	H36048A	Self Locking Nut	1

29	5BB4017	Bracket	1
30	0BB2006	Spring	1
31	H53740	Setscrew	1
32	5BB4011	Actuator	1
33	0A521-1	Bearing	2
34	5BB4009	Rod Guide	1
35	5BB4006	Treadle Rod	1
36	H49645	Screw	3
37	5BA5019	Base Plate 42" only	1
37	5BB5015	Base Plate	1
38	6027	Screw	4
39	1193	Washer	4
40	5BB5010	Cover Assembly	1
41	5BA2051	Pivot Block	2
42	5BB5017	Foot Pedal	1
43	1738	Retaining Ring	1
44	5BA2052	Flat Washer	1
45	0BA2016	Compression Spring	1
46	1135	Washer	1
47	5BB2321	Plunger	1
48	5BA2161	Nut	2
49	5BB2329	Treadle Rod	1
50	6051	Screw	1
51	1193	Washer	1
52	5BA4018	Treadle Bracket 42" only	1
52	5BA4010	Treadle Bracket 47" & 52" only	1
53	925	Jam Nut	3
54	5BA2185	Block 42" only	1
55	5BA2186	Rod 42" only	1

Lawson Cutter Parts Breakdowns -Old Style

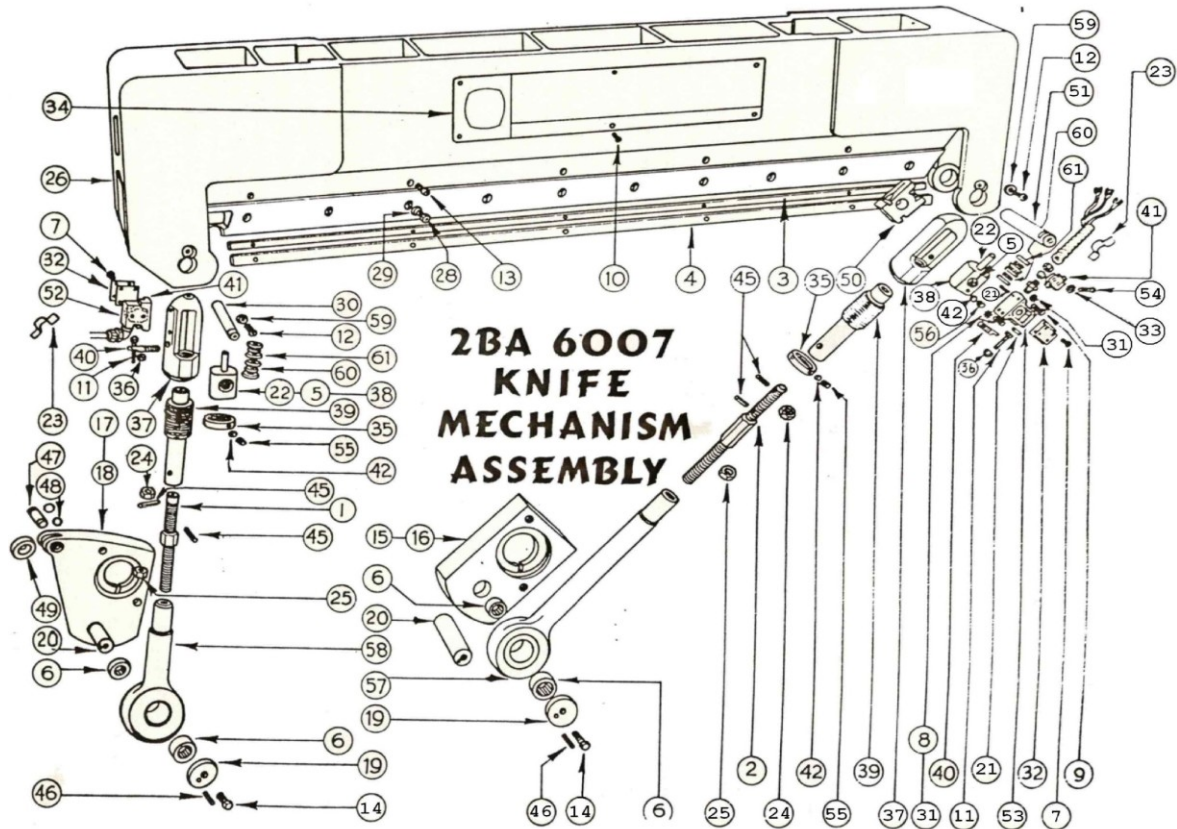
Safety Latch 2BA6003



Key No.	Part No.	Description	Qty
1	2BA2052	Brushing	1
2	2BA2060	Bracket-Spring	1
3	2BA2068	Cushion	2
4	2BA2048	Capscrew-Hex. Hd. Drilled 1/4"- 20 x 2-1/4" Lg.	4
5	200200	Capscrew-Soc. Hd. 1/4"-20 x 3/4" Lg.	3
6	6047	Capscrew-Hex. Hd. 1/4"-20 x 3/4" Lg.	6
7	2BA2049	Capscrew-Hex. Hd 5/8"- 11 x 2" Lg.	1
8	6049	Capscrew- Hex. Hd 3/8"- 16 x 3/4" Lg.	1
9	2BA2025	Link	1
10	3664	Micro Switch-Safety Latch	1
11	990	Nut-Elastic Stop 6-32	2
12	6686	Nut-Elastic Stop 1/2"-20	1
13	6215	Oil Hole Cover	1
14	2547	O-Ring	4
15	2BA2028	Pin	1

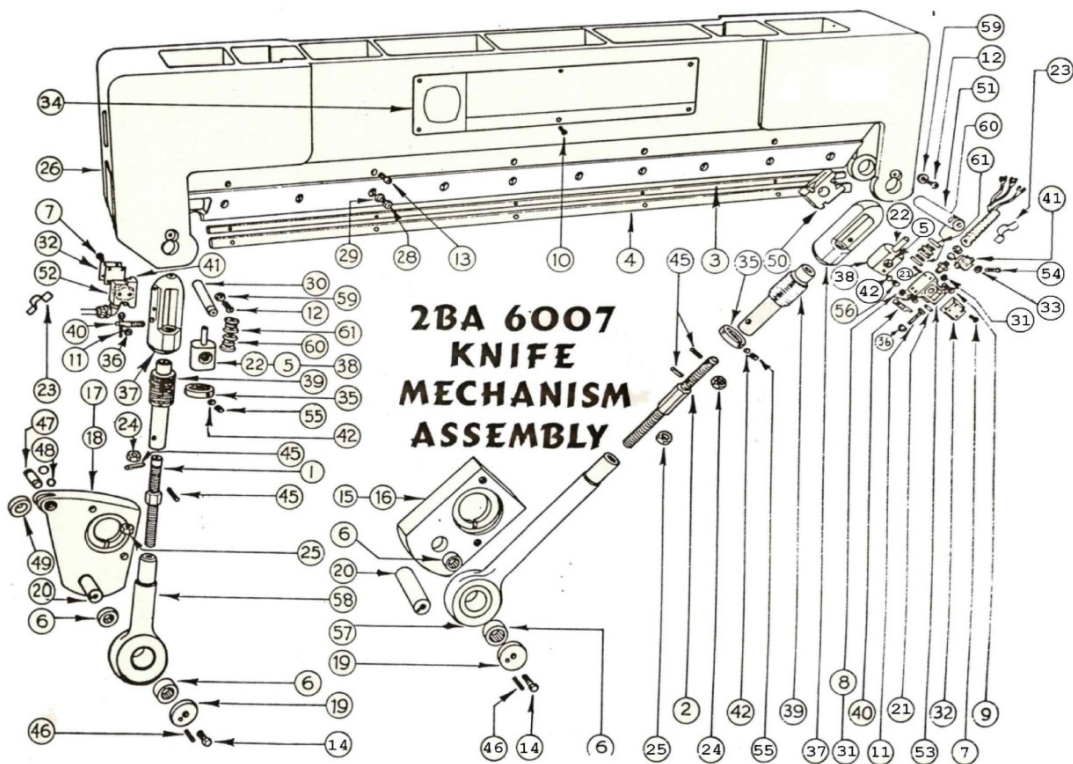
Key No.	Part No.	Description	Qty
16	1778	Retaining Ring	1
17	2BA5005	Safety Latch	1
18	2BA2066	Switch Bar	1
19	2BA2026	Solenoid Pin	1
20	2BA2063	Spacer	2
21	2BA2064	Spacer	2
22	3961	Solenoid	1
23	2BA4013	Solenoid Enclosure	1
24	2BA2034	Cushion	1
25	2BA2027	Spring Rod	1
26	0BA2011	Spring	1
27	2BA2051	Safety Latch Shaft	1
28	2BA2058	Safety Latch Shaft Retainer	1
29	3663	Tube Form Mounting	2
30	1131	Washer- 1/4" Std	2
31	1135	Washer- 1/2" Std	2
32	2BA2035	Washer	1
33	1671	Wire-Binding 6" Large	3
34	1137	Washer- 5/8" Std	2

Knife Bar Mechanism Assembly 2BA6007- Old Style



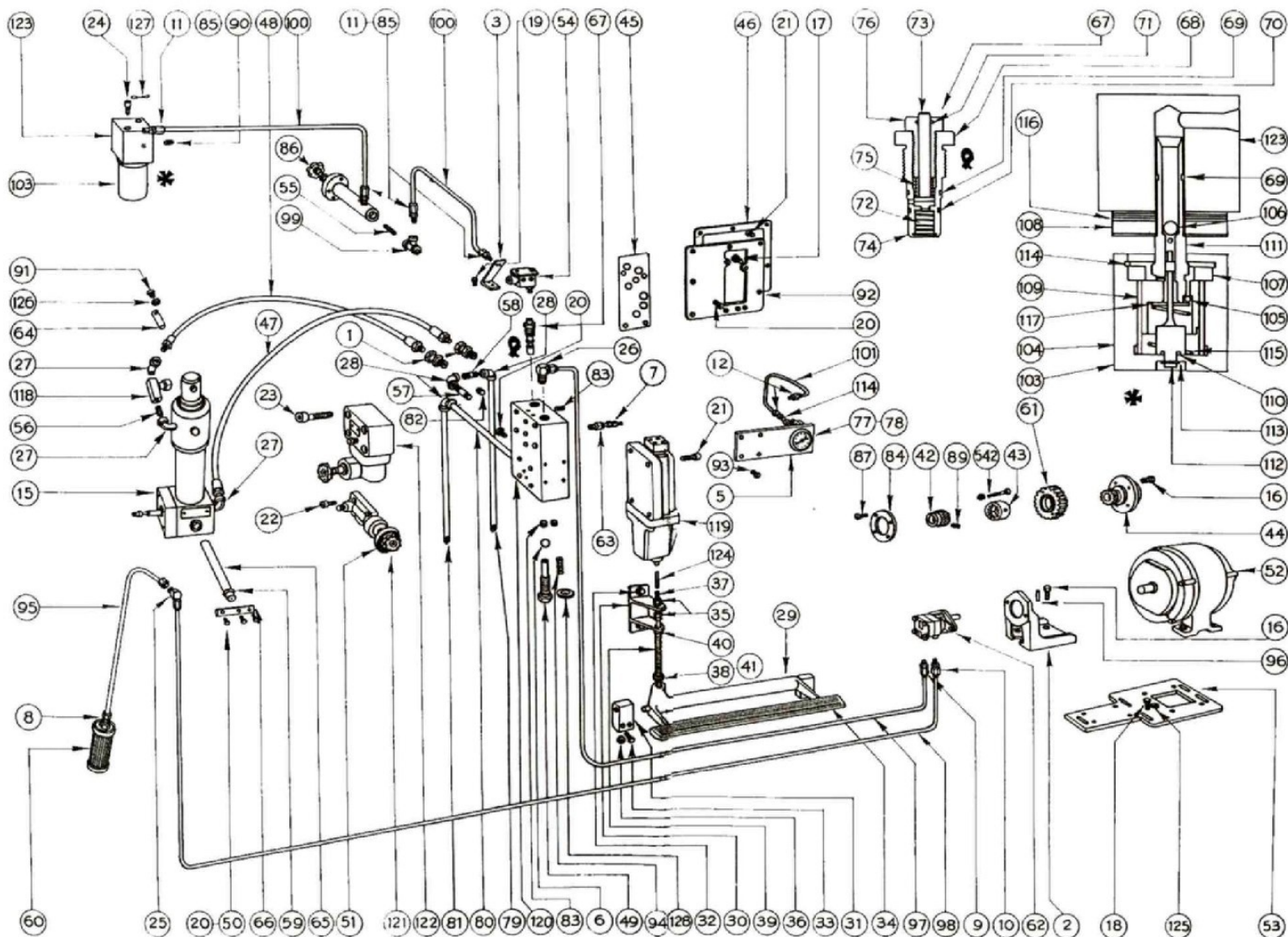
Key No.	Part No.	Description	Qty
1	2BA2042	Adjusting Screw-L/H	1
2	2BA2050	Adjusting Screw-R/H	1
3	2BA4017	Backing Strip A	1
4	2BA4018	Backing Strip B	1
5	6043	Bearing	4
6	6044	Bearing	4
7	2371	Capscrew#6-32 x 1 1/4" Lg. Butt. Hd-Soc.	8
8	83	Capscrew #8-32 x 5/8" Lg.Soc. Hd	2
9	6025	Capscrew-#8-32 x 7/8" Lg. Soc. Hd	2
10	2366	Capscrew- #10-32 x 1 1/4" Lg. -Butt Hd. -Soc.	4
11	6204	Capscrew-310-32 x 1 1/4" Lg. -Hex Hd.	2
12	6034	Capscrew- 5/16"-18 x 1/2" Lg. Butt Hd- Soc.	2
13	225	Capscrew- 3/8"- 16 x 2" Sox Hd.	4
14	6051	Capscrew- 1/2"-13 x 1 1/4" Hex Hd.	2
15	2BA5006	Crank R/H	1
16	2BA5007	Crank Assembly- R/H	1
17	2BA5003	Crank- L/H	1
18	2BA5006	Crank-Assembly-L/H	1
19	2BA2067	Crank Washer	2
20	2BA4020	Crank Pin	2
21	6213	Dowel Pin 1/3" dia. X 1/2" Lg	4
22	6005	Dowel Pin 3/4" dia. 2" Lg	2
23	2BA2077	Insulation- Duropaper	2
24	2BA2091	Jam Nut- 1 1/4" - 12 R/H Thread	2
25	2BA2092	Jam Nut- 1 1/4" - 12 L/H Thread	2
26	2BA6005	Knife Bar	1
27	2BA4016	Knife- Order from Jallo	1
28	2BA2044	Knife Bolt	9
29	2BA2045	Knife Washer	9
30	2BA2046	Knife Bar Pin L/H	1

Knife Bar Mechanism Assembly 2BA6007- Old Style, Continued



Key No.	Part No.	Description	Qty
31	1171	Lockwasher #8 Shake Proof	4
32	2BA2071	Limit Switch Cover Plate	2
33	1211	Lockwasher #6 Shakeproof	4
34	2BA5009	Nameplate	1
35	2BA2055	Nut	2
36	993	Nut-Esna #10-32	2
37	2BA5001	Overload Housing	2
38	2BA2041	Overload Plug	2
39	2BA4008	Pull Bar Adapter	2
40	2BA2040	Pull Bar Overload Adjusting Screw	2
41	6214	Plunger-Compact-Overtravel	2
42	2BA2065	Plug	6
43	2BA5010	Pull Bar Assembly- L/H Items 1,14,19,20,24,25,30,36,58	1
44	2BA5011	Pull Bar Assembly- R/H items 2,14,16,19,20,24,25,30,36,57	1
45	6212	Roll Pin- Esna 1/4" dia. X 1 1/4" Lg	4
46	2062	Roll Pin- Esna 1/4" dia. X 3/4" Lg	2
47	2BA2053	Roller Pin	1
48	1741	Retaining Ring- Spirolox	2
49	2BA2059	Roller	1
50	2BA2062	Shear Block	1
51	2BA2047	Shear Block Stud	1
52	2BA4023	Switch Box- Overload L/H	1
53	2BA4024	Switch Box- Overload R/H	1
54	646	Screw Match #6-32 x 1" Rd Hd	4
55	520 F.P.	Setscrew- 3/8"-16 x 1/2" Soc Hd./Flat Point	4
56	521 F.P.	Setscrew-3/8"-16 x 1/2" Soc Hd./Flat Point	2
57	2BA4010	Terminal- R/H	1
58	2BA4011	Terminal- L/H	1
59	3BA2054	Washer	2
60	6095	Washer- Hardened	4
61	2BA2054	Washer- Belleville	8

5BA1001 Hydraulic System and Treadle- Old Style



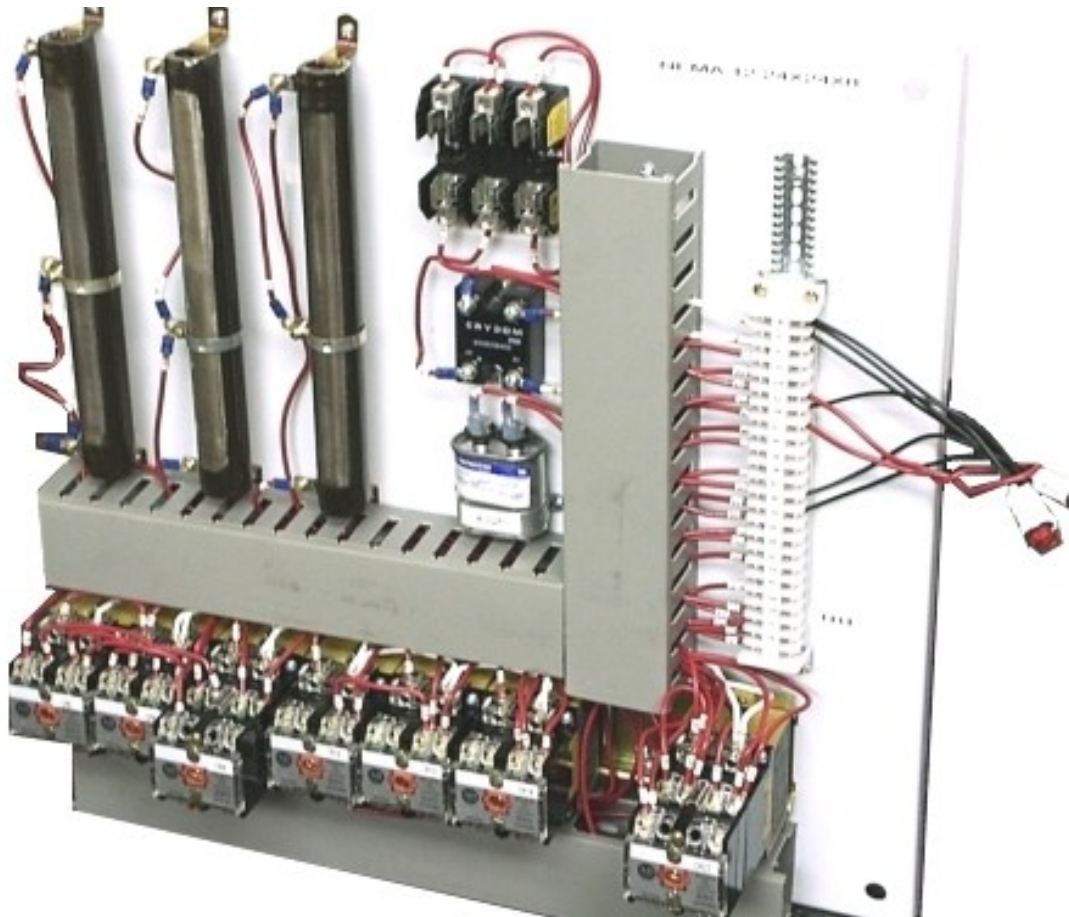
Key No.	Part No.	Description	Qty
1	6109		2
2	1BA 4342	Adapter Union Straight Male	1
3	5BA 2076	Bracket Pump Mounting	1
4	5BA 2099	Bracket- Pressure Switch	x
5	5BA 2073	Bracket Relief Valve (used on Orig. Machines, obsolete)	1
6	3677	Bracket- Pressure Gauge	1
7	6140	Ball – 3/4" Diameter	1
8	6250	Bushing Brass	1
9	2609	Connection – 3/8" Male	1
10	6154	Connection – Tube 1/2" Male	1
11	6542	Connection Tube – 3/4" Male	1
12	6143	Connector – Male	4
13	6201	Connector – Tube – Male	2
14	6155	Connector - Male	2
15	5BA 5002	Coupling- Brass Reducing – 1/4" n.p.t. x 1/8" n.p.t.	1
16	6010	Cylinder	1
17	6198	Capscrew – 3/8-16 x 1" Hex Hd.	4
18	6670	Capscrew – 3/8-16 x 1-1/4" – Hex Hd.	4
19	100	Capscrew – 3/8-16 x 1-1/4" Hex Hd.	4
20	220	Capscrew – 1/4"-20 x 1/2" Hex Hd.	4

5BA1001 Hydraulic System and Treadle- Old Style, continued

Key No.	Part No.	Description	Qty
21	223	Capscrew – 3/8-16 x 3/4" Hex Hd.	3
22	1251	Capscrew – 3/8-16 x 1-1/2" Hex Hd.	6
23	256	Capscrew – 3/8-16 x 7/8" Soc Hd.	4
24	5BA 2095	Capscrew – 5/8-11 x 3" Soc Hd.	3
25	2633	Capscrew – 1/2-13 x 2-1/2" Soc Hd.	2
26	2638	Elbow 90 Degree Male	1
27	6114	Elbow – 90 Degree Male – 1/2" Tube	1
28	6156	Elbow – 90 Degree Street	4
29	5BA 6008	Elbow – 1/2" IPS x 90 Female – 150 Mall	2
30	5BA 4010	Foot Treadle Assembly – Consists Of;	1
31	5BA 2051	Treadle Bracket	1
32	6051	Block - Pedal Pivoting	2
33	6027	Capscrew- 1/2-13 x 1-1/4" Hex Hd.	2
34	5BA 5003	Capscrew- 1/2"-13 x 2-1/4" Hex Hd.	4
35	925	Foot Treadle	4
36	1193	Jam Nut	1
37	5BA 2050	Lockwasher – 1/2" Std.	1
38	1738	Rod-Treadle Link	1
39	OBA 2016	Retaining Ring	1
40	1135	Spring	1
41	5BA 2052	Washer – Plain	1
42	5BA 2150	Washer – Plain	1
43	5BA 2151	Gear – R/H - Driven	1
44	5BA 2152	Gear – Internal (Spauldite)	1
45	5BA 2068	Gear- L/H Drive	1
46	5BA 2084	Gasket- Sub Plate	1
47	6116	Gasket – Valve Sub Plate Assy.	1
48	6115	Hose- Flexible- Hydraulic Down Clamp	1
49	5BA 2074	Hose- Flexible- Hydraulic Up Clamp	1
50	6039	Housing- Check Valve Spring	1
51	5BA 2075	Loctite- Grade C.	As Req'd
52	4HS 1085	Locknut	1
53	1BA 4033	Motor	1
54	2696	Mounting Plate	1
55	6545	Micro Switch	1
56	3546	Nipple – 1/4"	1
57	6157	Nipple – 1/2" Close	1
58	6158	Nipple – 1/2" IPS x 2"	1
59	6085	Nipple – IPS x 1-1/2"	1
60	3801	"O" Ring – 1/8" x 1" x 1-1/4"	1
61	5BA 2153	Oil Filter	1
62	6083	Pulley- Motor	1
63	6104	Pump	1
64	3BA2025	Pin	1
65	3BA2039	Cylinder Pin	2
66	3BA2036	Plate	1
67	2BA2079	Pressure Switch Assembly, Consists of:	1
68	5BA2080	Housing	1
69	6110	"O" Ring- 13/16" x 15/16" x 1/16"	1
70	6111	"O" Ring- 3/4" x 7/8" x 1/16"	1
71	6113	"O" Ring- 5/16" x 7/16" x 1/16"	1
72	5BA2081	Plunger	1

Key No.	Part No.	Description	Qty
73	5BA2082	Push Rod	1
74	6112	Retaining Ring- Internal 1/2"	1
75	OBA2019	Spring	1
76	5BA2083	Spring Retainer	1
77	5BA2071	Pressure Gauge Spacer	1
78	5AC2298	Pressure Gauge	1
79	5BA2086	Pipe- 1/2" Std. -Relief Valve Exhaust	1
80	5BA2077	Pipe- 1/2" Std. -Solenoid Valve Exhaust	1
81	5BA2085	Pipe- 1/2" Std. -Solenoid Valve Exhaust	1
82	3416	Pipe Plug- 3/8"- 18 NPT Hex Soc	1
83	6108	Pipe Plug- 1/16"- 27 NPT Hex Soc	3
84	5BA2098	Ring	1
85	6543	Reducer- 3/8" x 1/4"	2
86	3333	Relief Valve	1
87	2368	Screw- Butt. Hd. Soc.	1
88	542	Setscrew- 1/2" - 13 & Locknut	1
89	511	Setscrew- soc Hd. 5/16"-18	1
90	502	Setscrew-Cup pt. 1/4"-20 x 1/2"	1
91	6034	Screw- Butt. Hd. Soc. 5/16"-18 x 1/2"	7
92	5BA4013	Sub Plate Support	1
93	852	Screw Machine Fl. Hd 10-24 x 1/2"	4
94	OBA2004	Spring-Check Valve	1
95	5BA2064	Tube- 3/4" Return Valve	1
96	1520	Taper Pin	2
97	5AF2079	Tubing- 1/2"- Pressure Line	1
98	5BA2064	Tubing- 3/4"	1
99	6546	Tee- 1/8"	1
100	2642	Tubing - 3/8"	1
101	3297	Tube- Copper	1
102	5BA2092	Tubing- 3/16"	1
103	5BA4012	Vent Valve Assembly, Consists of:	1
104	5BA4002	Body	2
105	3678	Ball- 3/16" Dia.	1
106	3679	Ball- 3/16" Dia.	1
107	5BA2004	Cap	1
108	5BA2089	Cover	1
109	2135	Liner	1
110	2472	"O" Ring- 3/8" I.D.	1
111	5BA2055	Piston- including Item 69	1
112	5BA2094	Plunger	1
113	1880	Retaining Ring- 3/8"	1
114	1790	Retaining Ring- 2 1/4"	1
115	OBA2006	Spring	4
116	5BA2056	Shim	1
117	5BA2024	Washer	1
118	6706	Valve-Mahatrol	1
119	3715	Valve- 4 Way (clamp)	1
120	5BA6009	Valve- Sub Plate	1
121	6084	Valve- remote Control	1
122	6082	Valve- Relief	1
123	5BA4014	Valve- Manifold Vent	1
124	5BA2054	Valve Plunger- Clamp	1
125	3/8"	Washer	4
126	3BA2054	Washer	1
127	1671	Wire- Binding	1
128	6107	Washer-Dyna Seal 1"	1

Lawson Pacemaker II Electrical Circuit Board Retrofit with Hard Wired Relays



- To Restore to Original Pacemaker II Electrical Print
- Includes All New Allen Bradley Relays with Wiring Diagram
- Input and Output Terminals
- Original Wires Designations Per Print

Shear-Cut Programmable Back Gauge Controller For All Paper Cutters

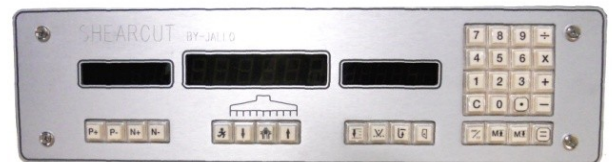
Specifications:

- Solid State Circuitry
- Vacuum Florescent Display
- Microprocessor controlled
- Infinitely variable back gauge positioning
- Independent A.C. Drive: Inverter
- Repeatability of back gauge
- Positions to +/-0.002 inch regardless of lead screw wear
- Automatic back gauge return
- Operator defined inch/metric display
- Program entry or correction through keyboard with the back gauge stationary or while Cutting the first lift



- Insertion or deletion of commands From existing programs
- Stock eject, turnaround, and Loading point
- Auxiliary controls (optional) for air And or brake control
- Keyboard control of back gauge Calibration

- Speed Range: 20 to 960 inches per minute
- Forward and reverse depending on size and Condition of cutter
- Electrical: 220 VAC, 60Hz, 3 Phase
- One (1) Year Warranty on Computer Programmer



**JVP Dry Vacuum Pumps- Complete Pumps,
Replacement Parts, Service
and Accessories**

JALLO
Equipment and Supply, Inc.

Jallo Stocks a Full Line of Replacement Pumps from 6.1 CFM to 99 CFM

Replacement Parts:

- *Carbon Vanes
- *Bearings
- *Gaskets
- *Flexible Couplings
- *Cooling Fans
- *Vacuum/Pressure Regulators
- *Pleated Paper Filters
- *Rebuild/Overhaul Kits

ALL STOCK ITEMS



JVP-6

Useful in/for:

- *Laboratories
- *Printing Presses
- *Automotives
- *SMT Machines
- *Paper Folding
- *Food Packaging
- *Saddle Binders
- *Electronics Assemblies
- *Meat Packing Machines
- *Vacuum Frames



JVP-750



JVP-7 DP

Paper Shims



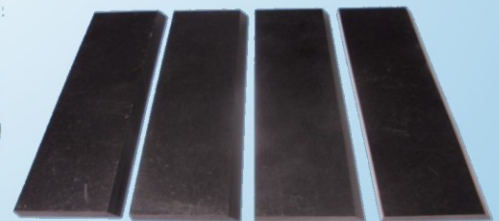
Couplings



Regulators



Carbon Vanes



Gaskets



Filters



High Temperature Bearings



